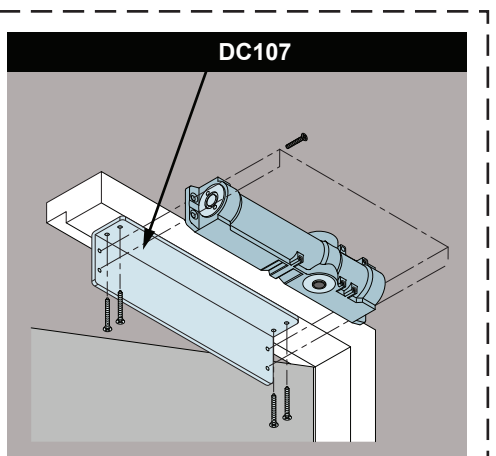
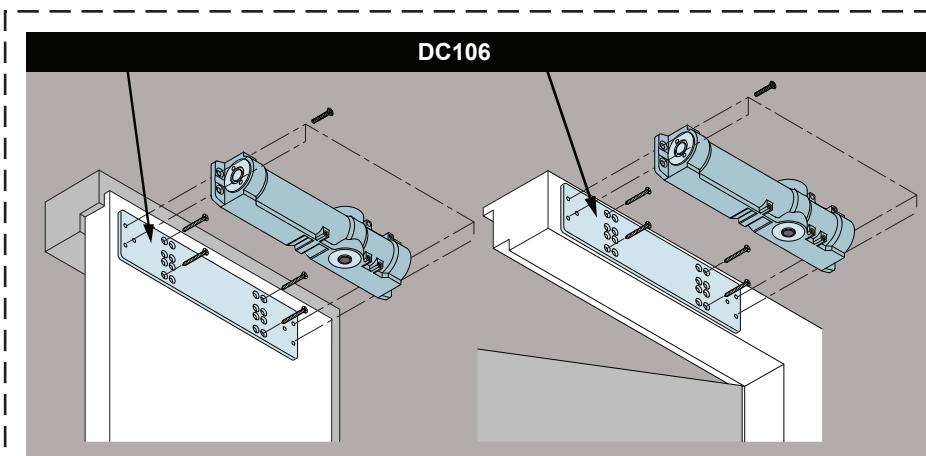
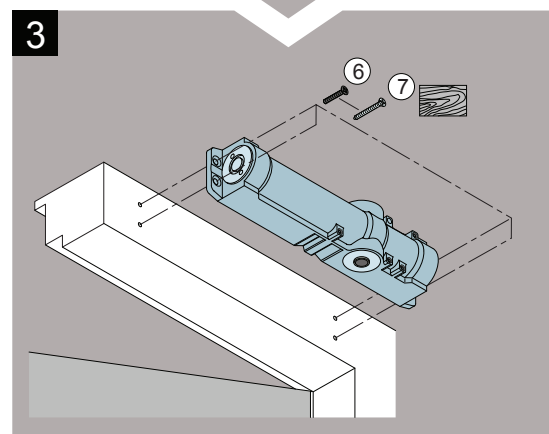
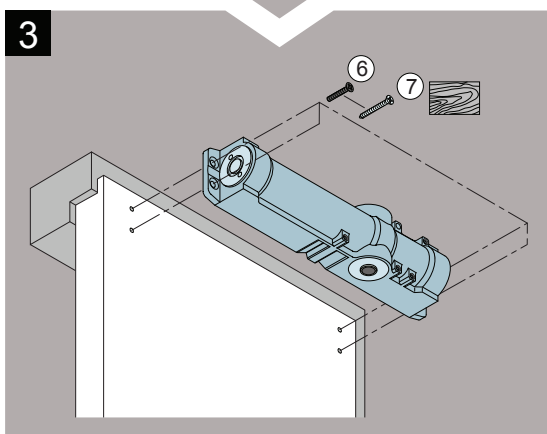
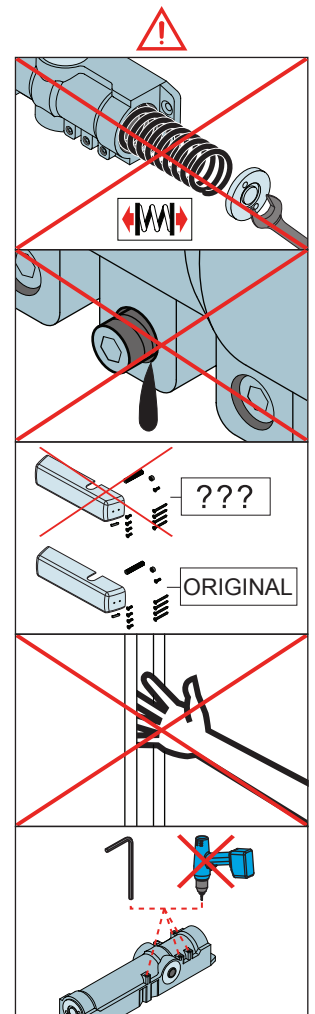
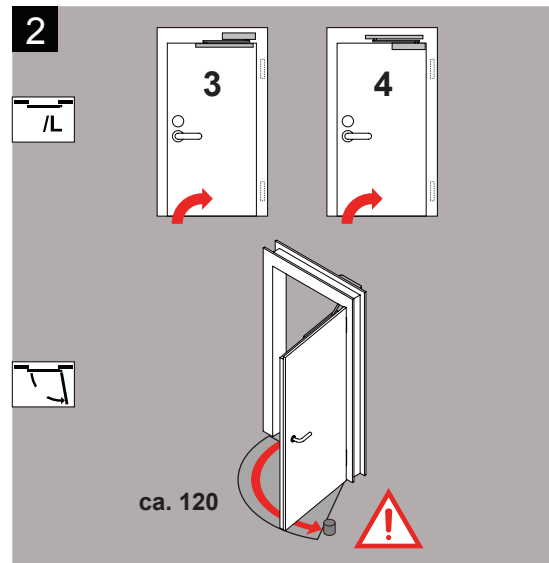
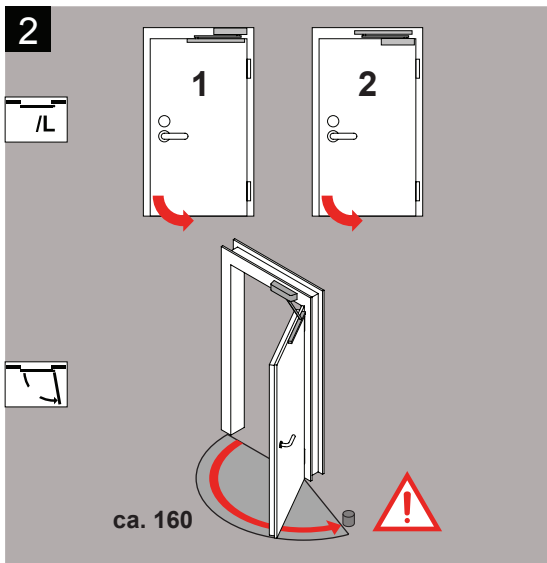
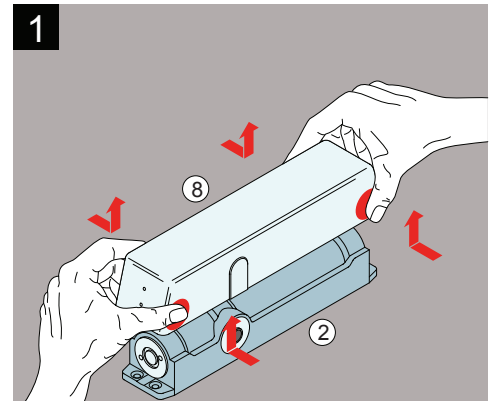
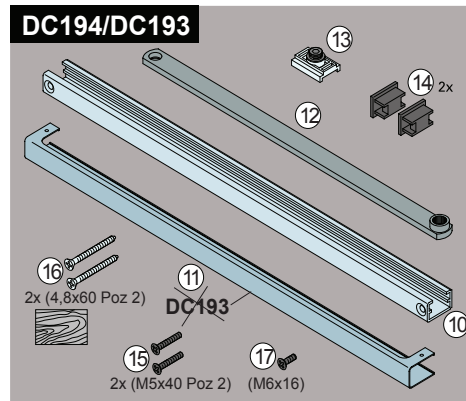
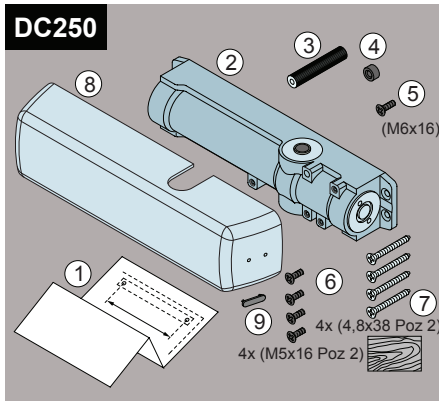
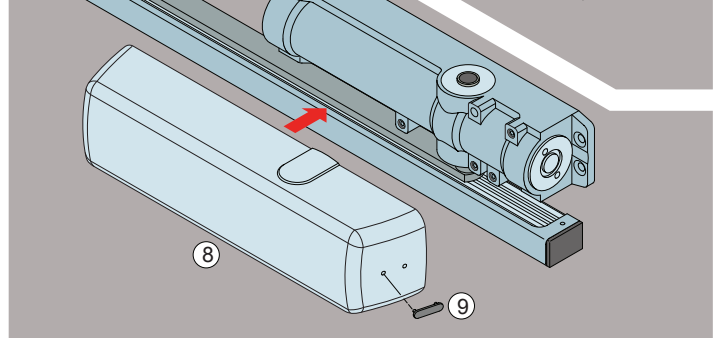
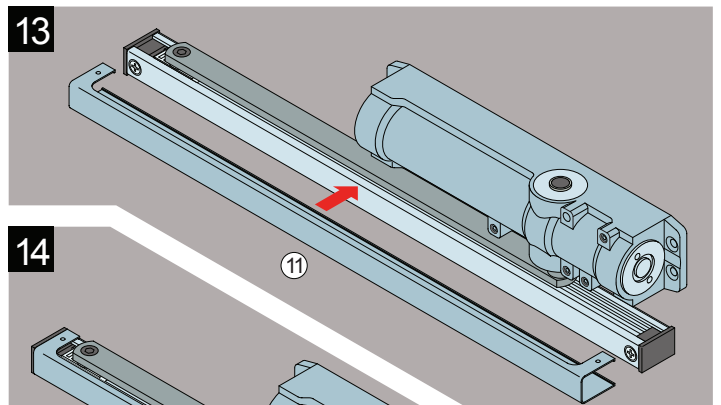
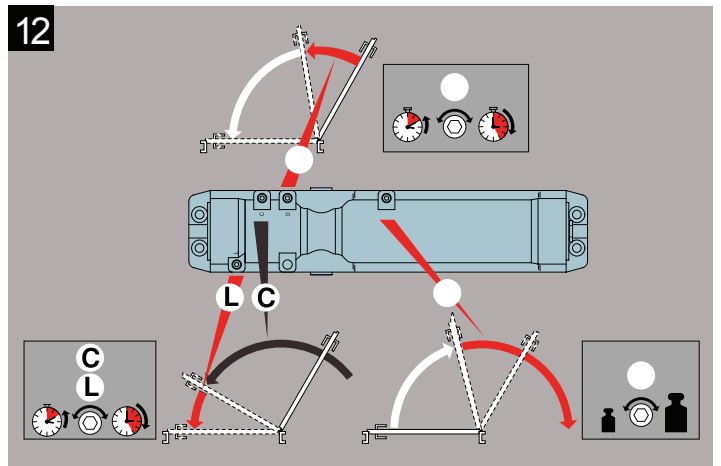
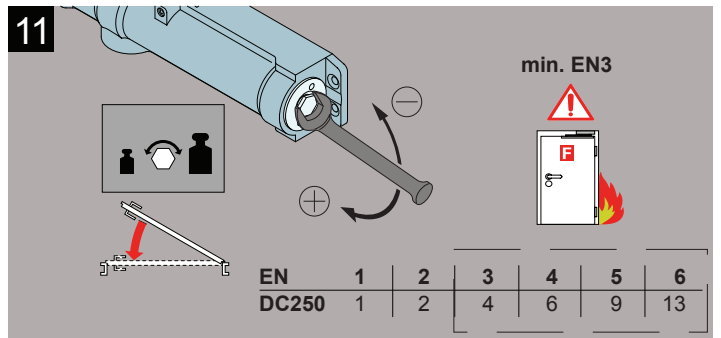
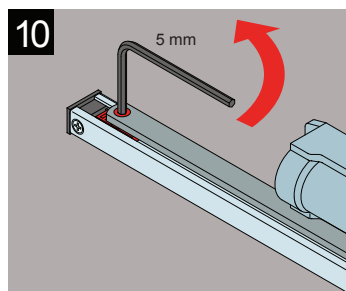
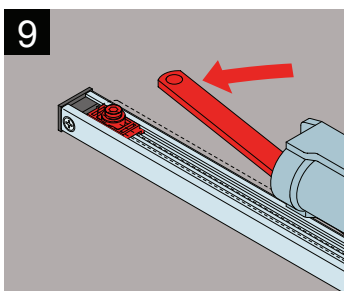
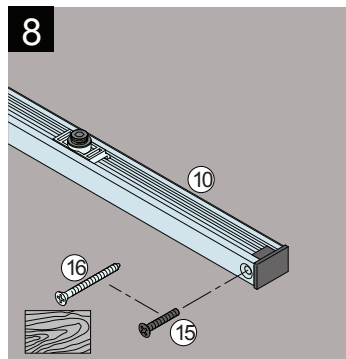
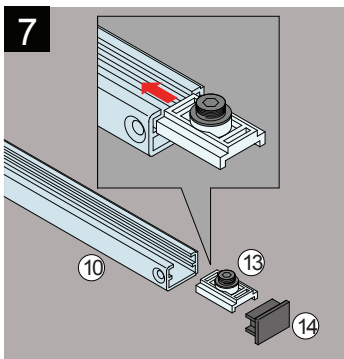
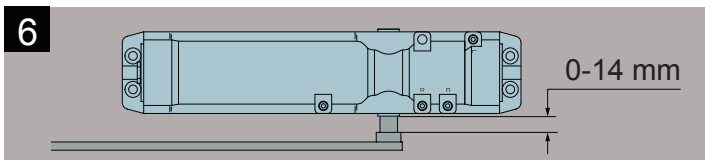
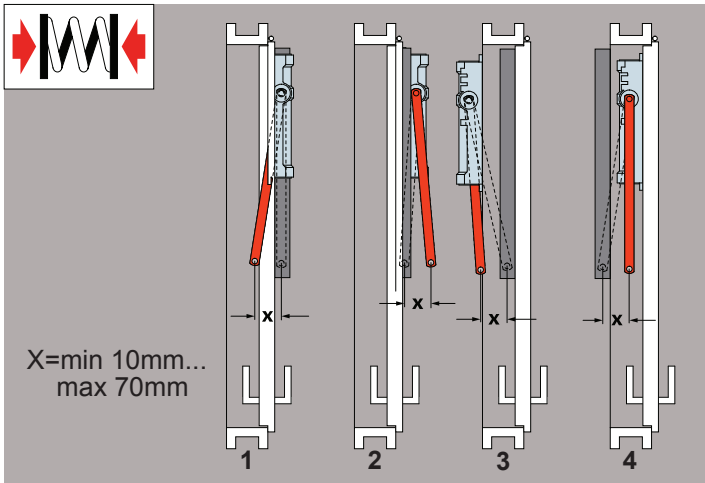
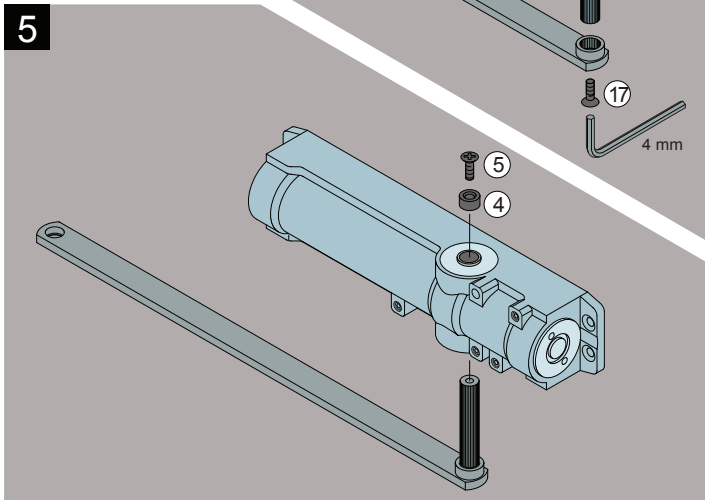
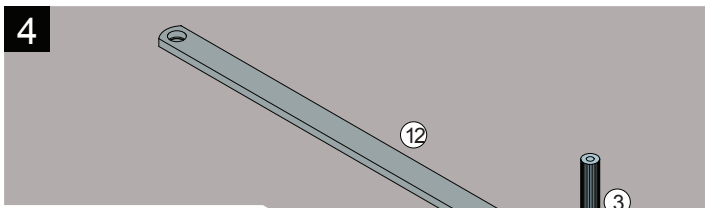


DC250 + DC194/DC193

D40 + D4020
DL250 + DL194(DL193)
250 + 7194(7193)
FP2500 + ARG194(ARG193)
BGV12736

2250 + AC333
T250 + T450
CT500026 + GD300F(GD3000)
DC8600 + DCA194(DCA193)
DC2516SSS + 2516 -194





DC250 + DC194(DC193)
D40 + D4020
DL250 + DL194(DL193)
250 + 7194(7193)
FP2500 + ARG194(ARG193)
BGV12736

2250 + AC333
T250 + T450
CT500026 + GD300F(GD3000)
DC8600 + DCA194(DCA193)
DC2516SSS + 2516 -194

CE	Abloy Oy PO Box 108 80101 Joensuu, Finland	04
	0432-CPD-0047 EN 1154:1996+A1:2002	3 8 6 1 1 3

