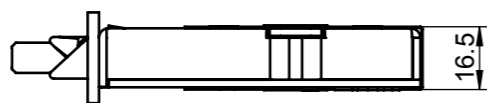
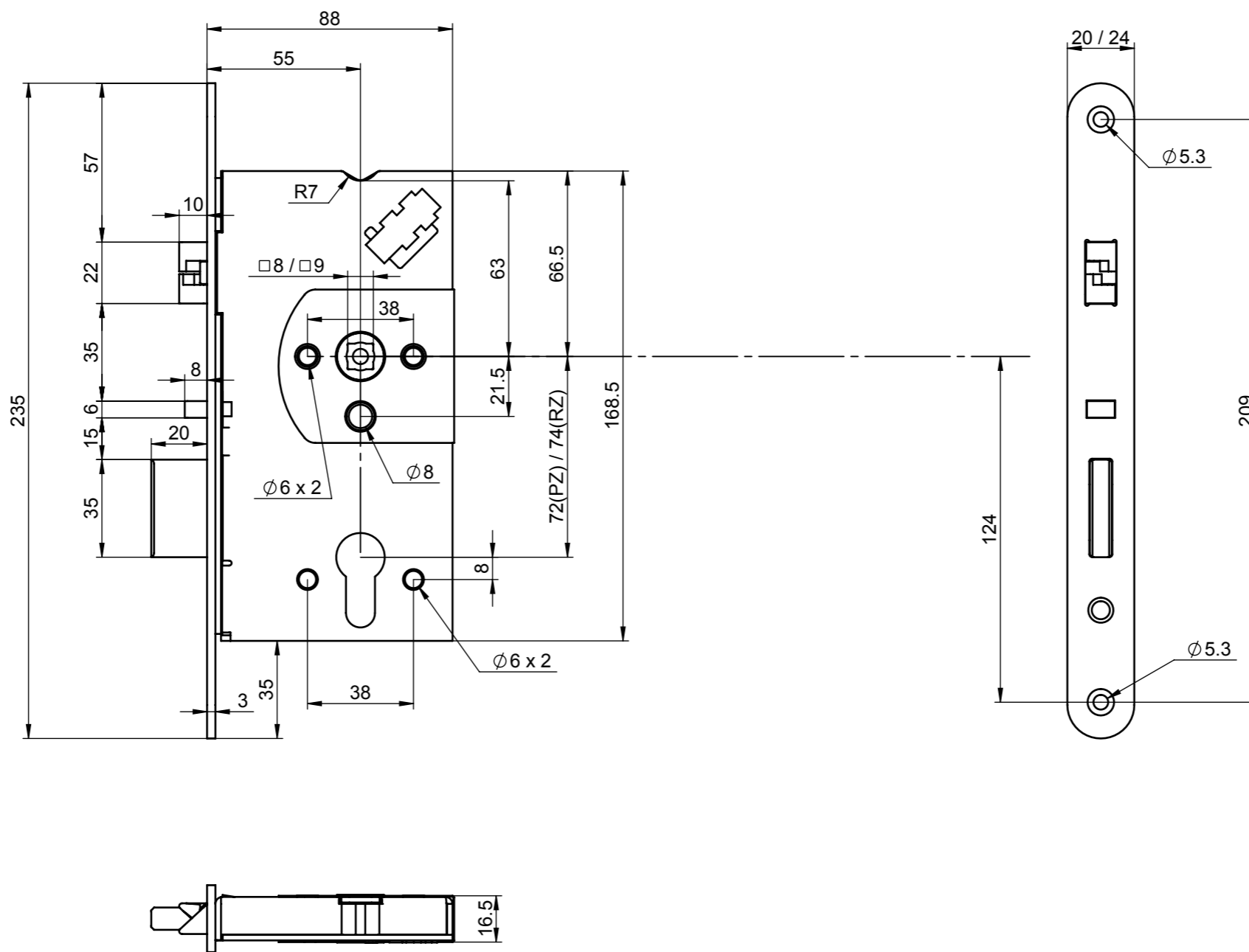

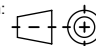


This document is our property and shall not without our permission be altered, copied, used for manufacturing or communicated to any other person or company.



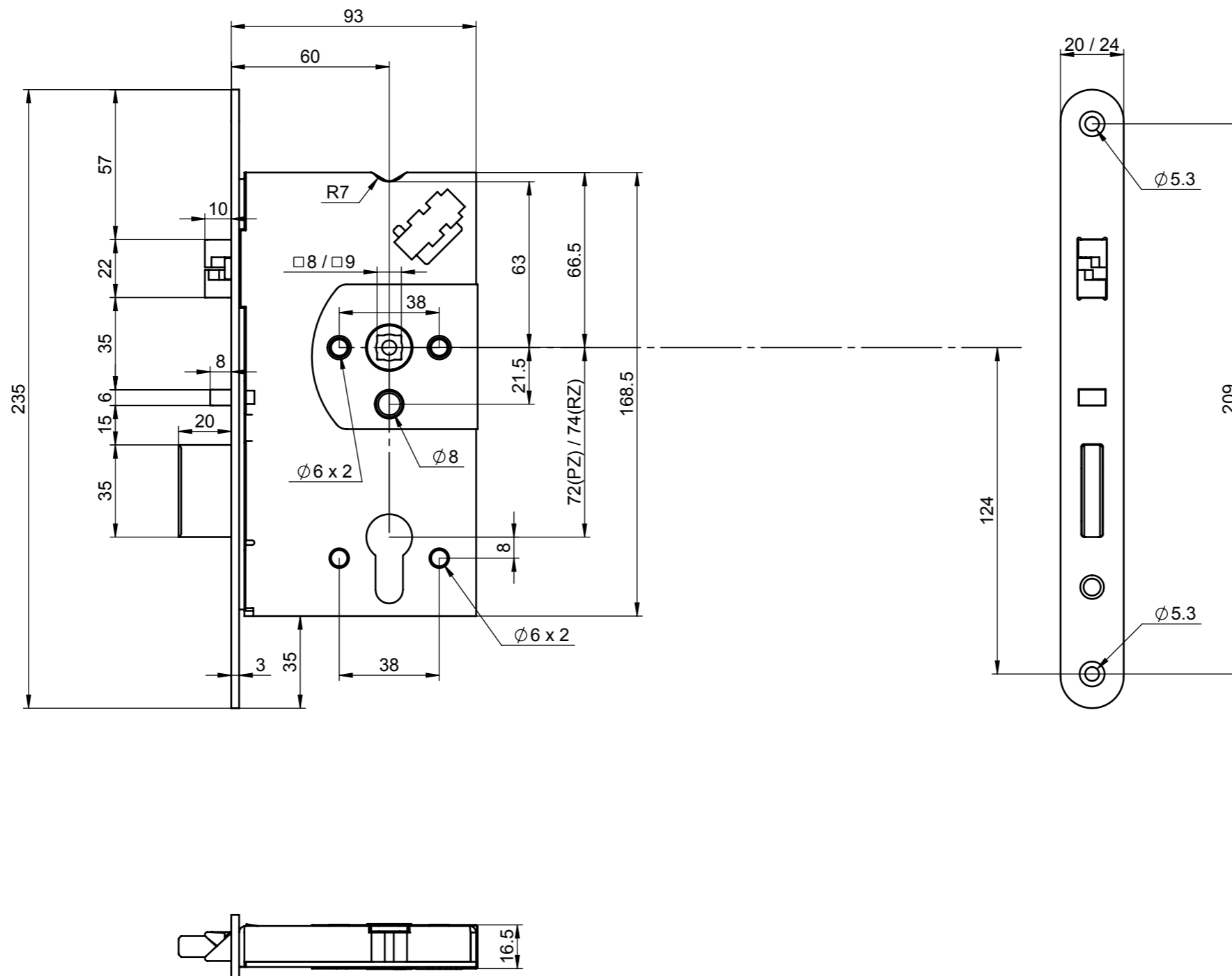
Surface: 456466		Material:		General tolerance: ISO 2768-mH	
Volume:	Weight:	Surface area:	created: 11.08.2014 JK	designed by:	changed by:
 ABLOY[®] Abloy Oy An ASSA ABLOY Group brand			ABLOY EL560 / 55		Scale: 1:2 (A3)
			Document ID		Projection: 


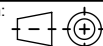
Part/assy:

Configuration:Default

SHEET 1 OF 3

This document is our property and shall not without our permission be altered, copied, used for manufacturing or communicated to any other person or company.



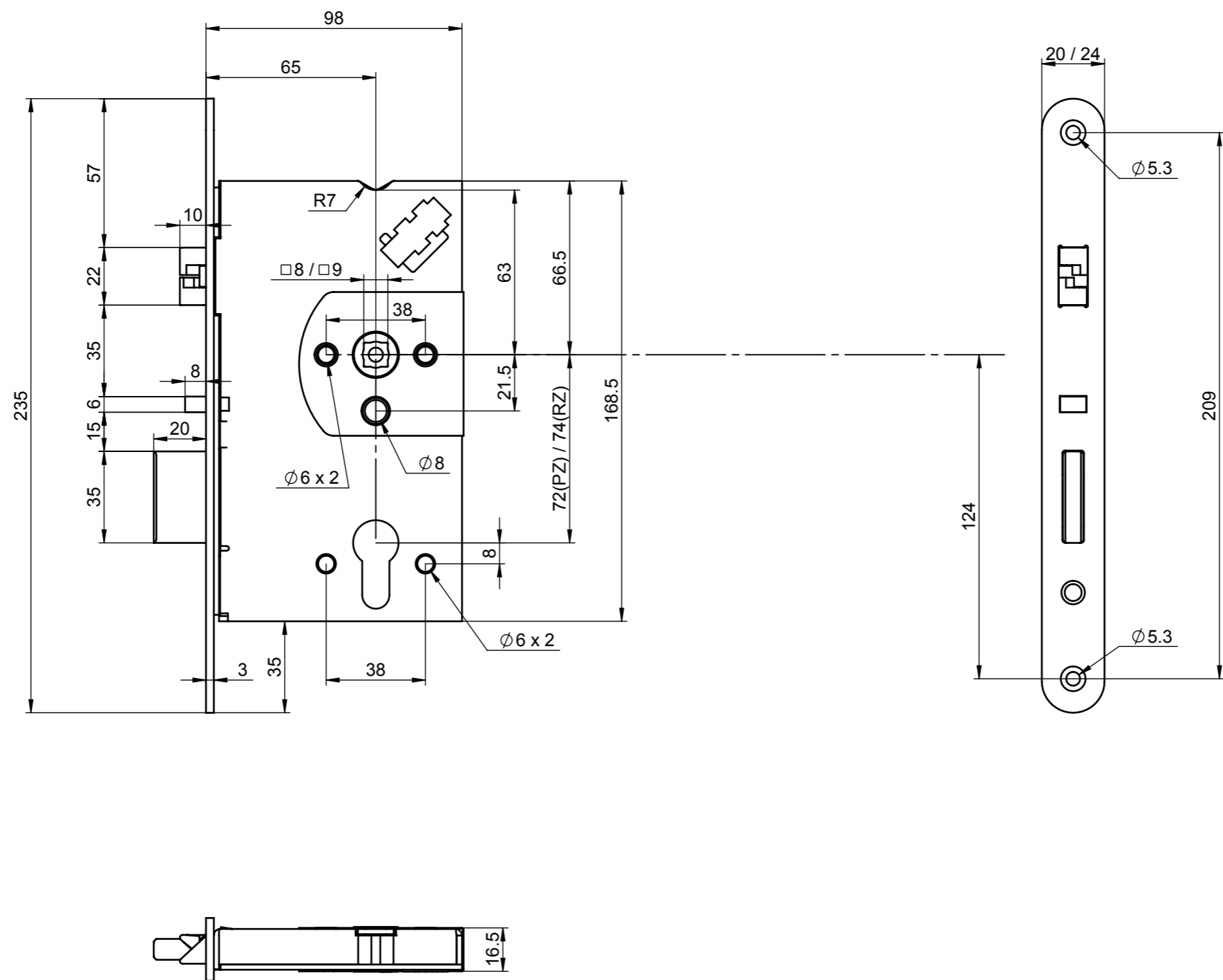
Surface: 456466		Material:			General tolerance: ISO 2768-mH	
Volume:	Weight:	Surface area:	created: 11.08.2014 JK	designed by:	changed by:	Scale: 1:2 (A3)
 ABLOY Abloy Oy An ASSA ABLOY Group brand			ABLOY EL560 / 60		Projection: 	
					Alternate ID	
Document ID					Rev.: 1	


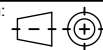
Part/assy:

Configuration:Default

SHEET 1 OF 3

This document is our property and shall not without our permission be altered, copied, used for manufacturing or communicated to any other person or company.



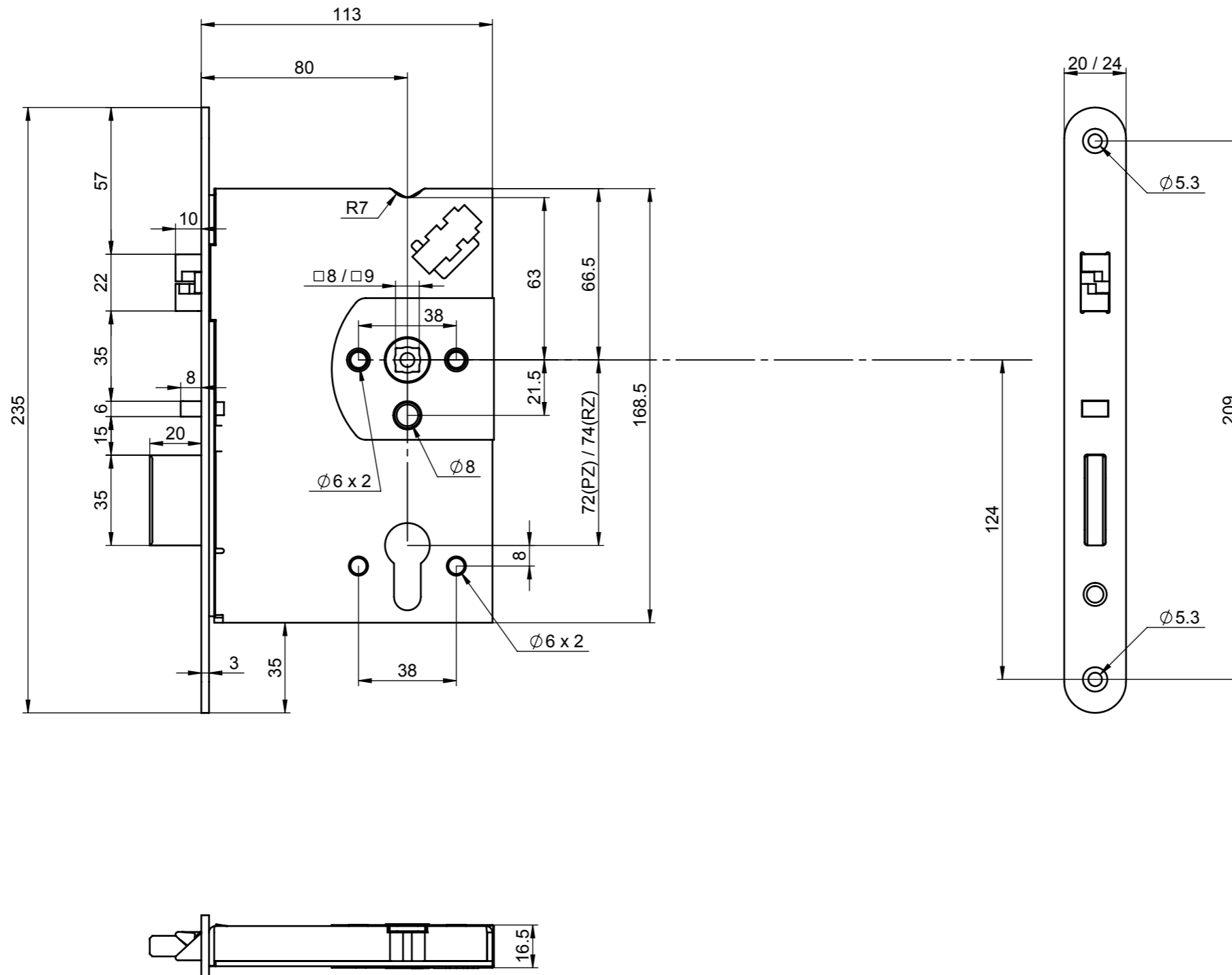
Surface: 456466		Material:			General tolerance: ISO 2768-mH	
Volume:	Weight:	Surface area:	created: 11.08.2014 JK	designed by:	changed by:	Scale: 1:2 (A3)
 ABLOY Abloy Oy An ASSA ABLOY Group brand			ABLOY EL560 / 65			Projection: 
			Document ID			

Part/assy:

Configuration:Default

SHEET 1 OF 3

This document is our property and shall not without our permission be altered, copied, used for manufacturing or communicated to any other person or company.



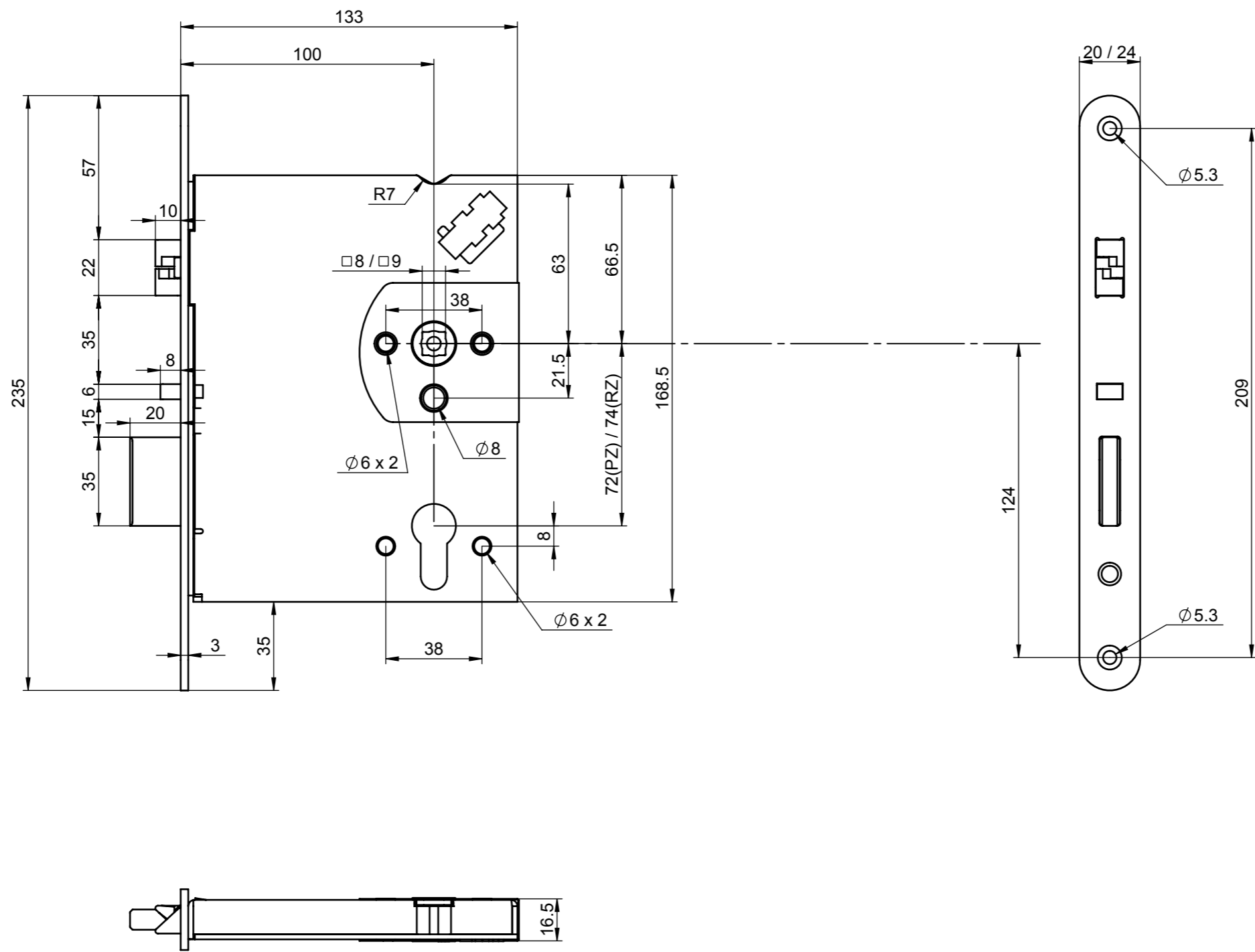
Surface: 456466			Material:			General tolerance: ISO 2768-mH		
Volume:	Weight:	Surface area:	created: 11.08.2014 JK	designed by:	changed by:	Scale: 1:2 (A3)	Projection: 	
 Abloy Oy An ASSA ABLOY Group brand			ABLOY EL560 / 80			Alternate ID		
						Document ID		Rev.: 1


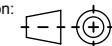
Part/assy:

Configuration:Default

SHEET 1 OF 1

This document is our property and shall not without our permission be altered, copied, used for manufacturing or communicated to any other person or company.



Surface: 456466		Material:		General tolerance: ISO 2768-mH	
Volume:	Weight:	Surface area:	created: 11.08.2014 JK	designed by:	changed by:
 ABLOY Abloy Oy An ASSA ABLOY Group brand			ABLOY EL560 / 100		Scale: 1:2 (A3)
			Projection: 		Alternate ID
Document ID				Rev.: 1	