

SQUARE CUT U-LOCK

- Tempered, copper, nickel and chrome-plated steel shackle, square cut 16 mm wire diameter. One-piece galvanized steel body
- Scratch-proof bi-coloured (blue and black) ABS cover
- Mobile, symmetrical double locking ball mechanism. 5 disc copper, nickel and chrome-plated zamak plug, protected by a resistant to attack plate with scratch-proof ABS cover
- Supplied with 2 German silver keys with ergonomic non slip ABS grip

● **Useful and resistant; suitable for locking mopeds and scooters**



Lock protected by weatherproof cap

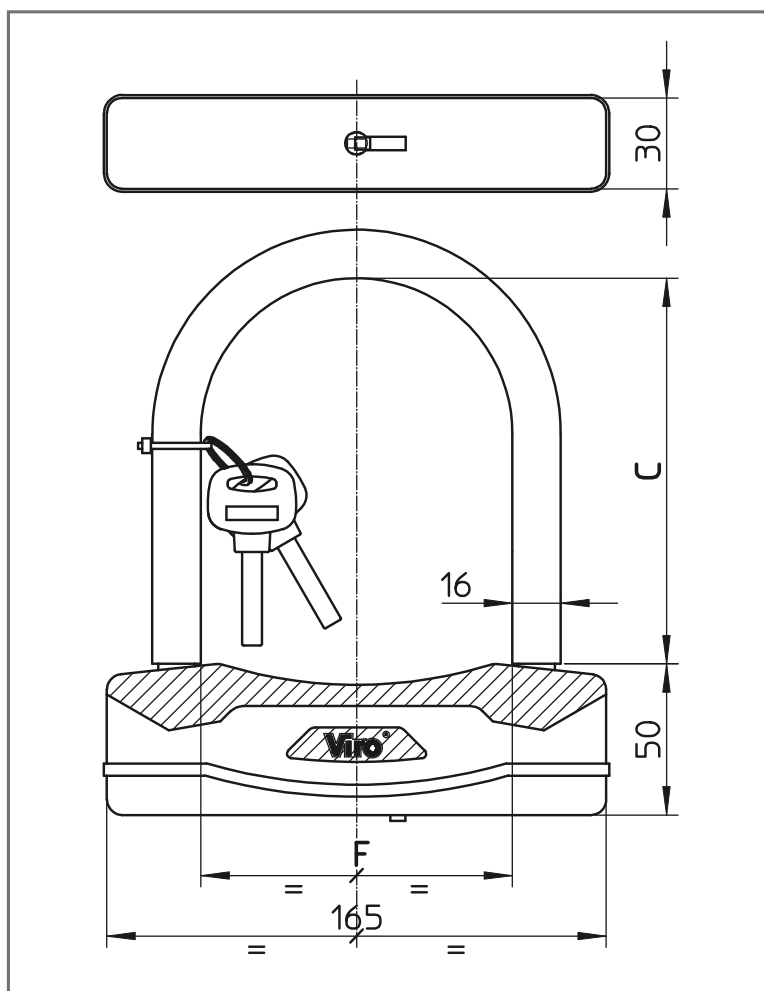


Keys with ergonomic grip





SQUARE CUT U-LOCK



ITEM	SHACKLE SECTION mm	ARCH SPAN C - F cm	NET UNIT WEIGHT g
183.130	16	12,7 - 10,5	1050
183.190	16	18 - 10,5	1190
183.255	16	25,5 - 10,5	1400



ITEM 183