

RB-LOCKS Product Catalog



RB-LOCKS

www.rb-locks.com

Contents

RB-LOCKS	Pages 4-5
LOCXIS® Platform	Page 6-7
KEYLOCX™ Platform	Page 8-9
Master Keying System & Software	Page 10
Accessories & Options	Pages 11-13
Key Blanks	Page 14
Cylinders	Pages 15-38
Locks	Pages 39-56
Accessories	Pages 57-63
RB-DOORS	Pages 64-68



RB-LOCKS

RB-LOCKS



RB-LOCKS is the Lock Division of the RB-Group, specialists and manufacturers of residential and commercial doors, lock products and security solutions keeping homes, businesses and institutions safe and secure for half a century. With global presence in 50 countries across five continents, RB-LOCKS targets the needs of locksmiths and lock professionals for reliable total lock solutions in a varying range of security levels; high defense security, commercial and residential.

Total Lock Solutions

RB-LOCKS specializes in providing total lock solutions, offering a large and varied selection of products to answer all locking needs and requirements. Within our product range, you will find multiple types of lock systems, cylinders, keys, locks, lock accessories and hardware. With the wide variety available and our professional support, locksmiths and lock professionals are able to accurately offer the most relevant locking products and full solutions, strengthening their positioning when competing in large commercial and industrial projects.



Superior Quality Products

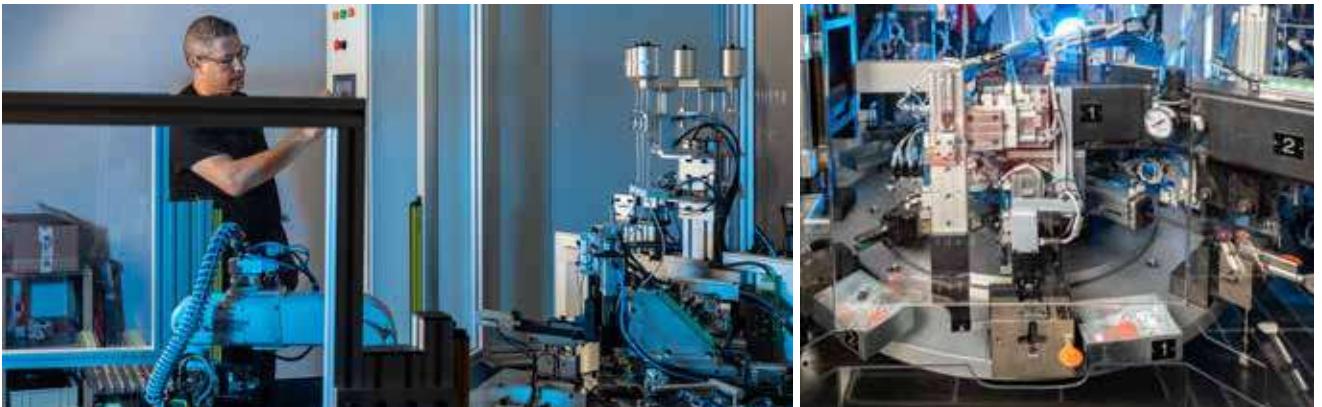
RB-LOCK products are made from tested raw metal materials (brass, hardened steel, stainless steel and nickel) to guarantee lifelong durability. The updated production line features state-of-the-art fully and semi-automated machinery for absolute precision in cutting, manufacturing and assembly. The in-house testing labs located in each department ensure consistency of quality and accuracy in production. Our lock products are tested before leaving the factory and are compliant to the strictest of International Standards Testing.

Service

We highly value our business partners and as professionals in the field, we are dedicated to customer satisfaction and a consistent positive customer experience. Responsive to the needs of distributors, lock professionals, and their markets, we are able to support ,develop, customize, and provide broader solutions.

Growth, Development and Technology

RB-LOCKS expanding facilities and growing capacities incorporate the latest machinery available, specialized automated machinery ensuring precision and accuracy in production for all processes, parts and finished products. Our Research and Development Engineering team is committed to constant improvement of products and processes, while investing time and resources in developing and expanding our product range through new products, solutions and leading security technologies.



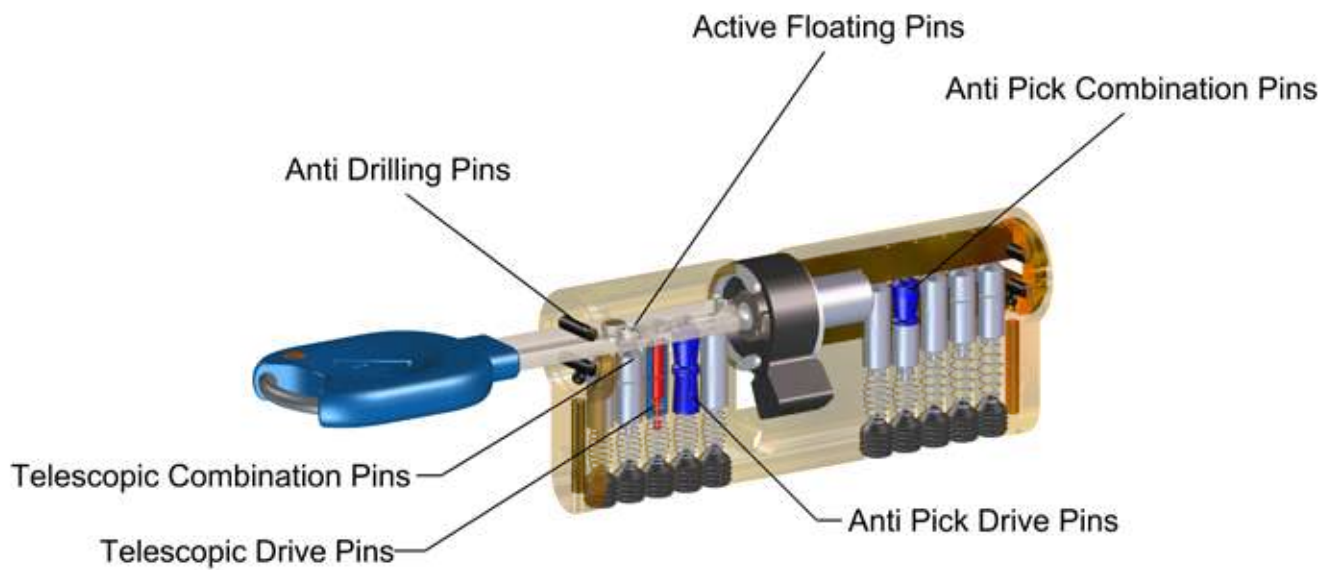
The LOCXIS® Technology Platform (patented)

RB-LOCKS premium line, the LOCXIS System, with the patented “active floating pin” technology within the key and cylinder, provides a high-security lock with unparalleled performance in protecting property. Safeguarding entry with patented, complex lock and restricted keys, RB-LOCKS floating pin technology (patent protected until 2030) enables countless possibilities of unique key profile configurations. The LOCXIS platform, easily installed in new or existing doors, is the right choice for commercial, industrial, institutional and residential uses requiring higher levels of security and entry restriction. LOCXIS is easily integrated into keyed-alike, keyed-different and Master Key systems.

The complex LOCXIS cylinder sets an exceptionally high standard of security. The cylinder features anti-snapping technology and telescopic, stainless steel, anti-drill and anti-pick pins positioned for resistance and protection against drilling and burglary.

Manufactured with precision, the LOCXIS Key delivers maximum durability, easy rekeying and high-security key restriction through the vast number of possible unique combinations with its single or double rows of floating active pins and stainless steel telescopic ball technology. Duplication of keys is restricted and controlled by the individual LOCXIS Duplication Cards supplied with every LOCXIS cylinder, padlock or cam lock and keys can be copied by authorized locksmiths only.





The KEYLOCKX™ Technology Platform

The KEYLOCKX system is an ideal high-security lock system for residential and commercial uses, providing outstanding security and protection, restricted key duplication and lasting durability.

Strong, functional and versatile, the KEYLOCKX key and cylinder conform to keyed-alike, keyed-different and Master Key systems and can be quickly installed in new doors or doors with existing lock hardware.

For increased key restriction, the KEYLOCKX key incorporates RB-LOCKS patented “active floating pin” technology (patent protected until 2030) and through diverse pin combinations, features more than 60 unique key blank possibilities.

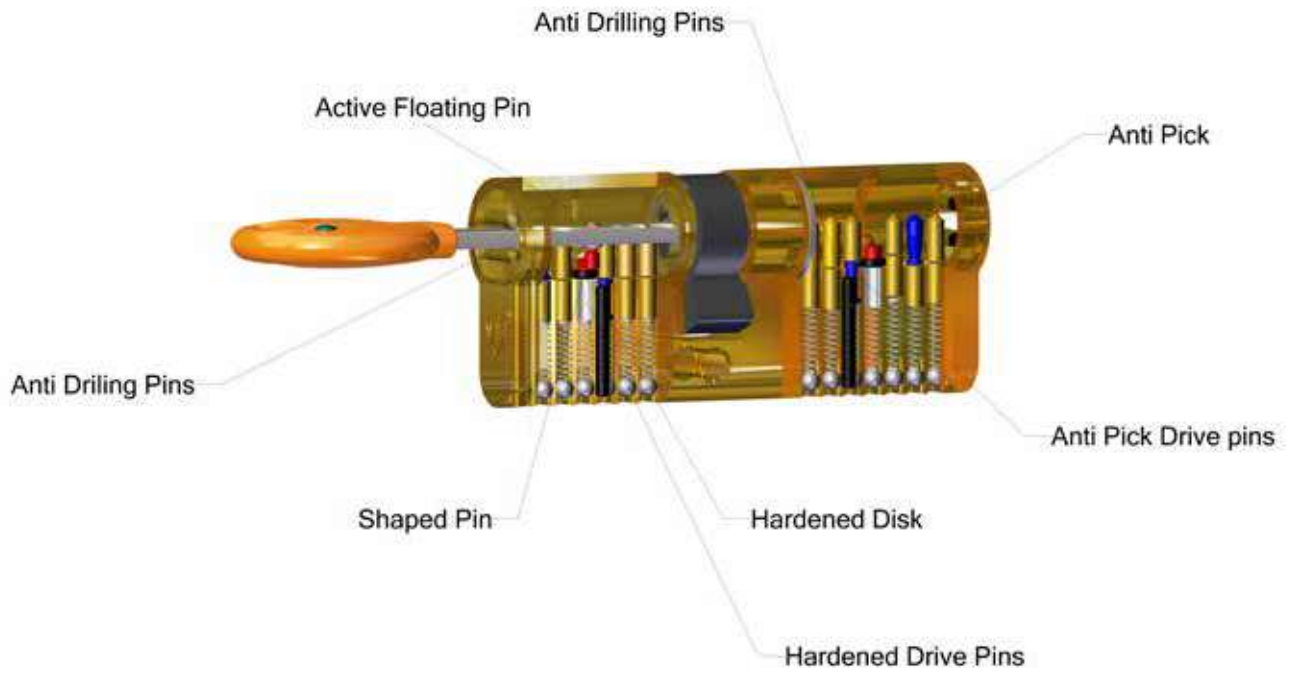
The sturdy, seven-chambered KEYLOCKX cylinder is manufactured from brass and for further protection and resistance against drilling and burglary, is reinforced with stainless steel anti-drill pins.

The tumbler has been engineered for high performance operation triggered by the stainless steel patented pins in the KEYLOCKX key.

The key, cylinder, tumbler, and stainless steel pins have all been rigorously tested for strength, wear and durability.

Duplication of keys is restricted and controlled by the individual KEYLOCKX Duplication Cards supplied with every KEYLOCKX cylinder, padlock or cam lock and keys can be copied by authorized locksmiths only.





Master Keying Software

RB-LOCKS developed the Master Design Software to provide our customers with an easy-to-use, web-based Master Keying Software.

The Master Design Software is intuitive and easy to use and produces easy to read schemes mapping out your organization's access control through two mathematical structures of Master Key Systems:

1. Hierarchical Master Key System

The structure of this chart, similar to a Corporate Organizational Chart, lays out the organization's authorized key levels and access permissions, starting from the highest master key level and moving down through the levels.

2. Matrix Master Key System

This matrix scheme maps out the organization's access scheme through defining the list of users on one axis and the relevant list of doors on the second axis.

Master Design supports multiple languages.



Cylinders Report

Key	Key	Key	Key
System ID: 101	System ID: 102	System ID: 103	System ID: 104
System ID: 105	System ID: 106	System ID: 107	System ID: 108
System ID: 109	System ID: 110	System ID: 111	System ID: 112
System ID: 113	System ID: 114	System ID: 115	System ID: 116
System ID: 117	System ID: 118	System ID: 119	System ID: 120



Accessories & Options

X3 Smartkey

With the X3 Rekeying System by RB-LOCKS, the combination of the existing cylinder can be changed without needing to replace the entire cylinder lock.

Designed for immediate rekeying and entry control, the X3 cylinder allows the combination within the cylinder to be changed by the use of the X3 Key. When a new X3 key is employed, the previous combination in the cylinder is fully altered and replaced by the combination of the new key.

Well suited for the construction industry, the X3 system answers needs for controlled rekeying situations, or urgent changes.

Technical Specifications:

X3 Key Set:

The key set consists of 3 different keys, each with their own key head color and different combination coding.

The predetermined order of the keys is set to allow change and replacement of the cylinder's combination. Once the next key of the set is used, the combination of the new key replaces the previous combination in the cylinder. The previous key will no longer open the cylinder.

Easy to use:

To change the cylinder combination, simply insert the new key into the cylinder and rotate until a "click" is heard.

The X3 Rekeying Set includes a unique duplication card with all three combinations.

The X3 is available for a variety of cylinder types:



Euro Profile Cylinder



XBOLT Dead Bolt



Mortice Cylinder

Accessories & Options

Anti Snapping

The Anti Snapping Cylinder has a special slot intentionally designed to break away if the cylinder is tampered with and excessive force or torque is applied.

After breaking, the locking mechanism cannot be accessed while the authorized key will still continue to operate the snapped cylinder.



Anti Snapping Slot

Emergency Cylinder (pat.pend)

Unique cylinder allowing insertion of keys on both sides of the cylinder and simultaneous operation, activating a “double clutch” mechanism.



Technical Specifications

General The technology works with Euro-profile cylinders, LOCXIS® or Keylocx™ systems, with gear or cam. Emergency cylinders are available with random combination key set, keyed alike or for Master Key systems.

Suitable for Residential
Institutions
Hospitals
Schools
Nursing homes
Etc.

Accessories & Options

Thumbturn



Standard

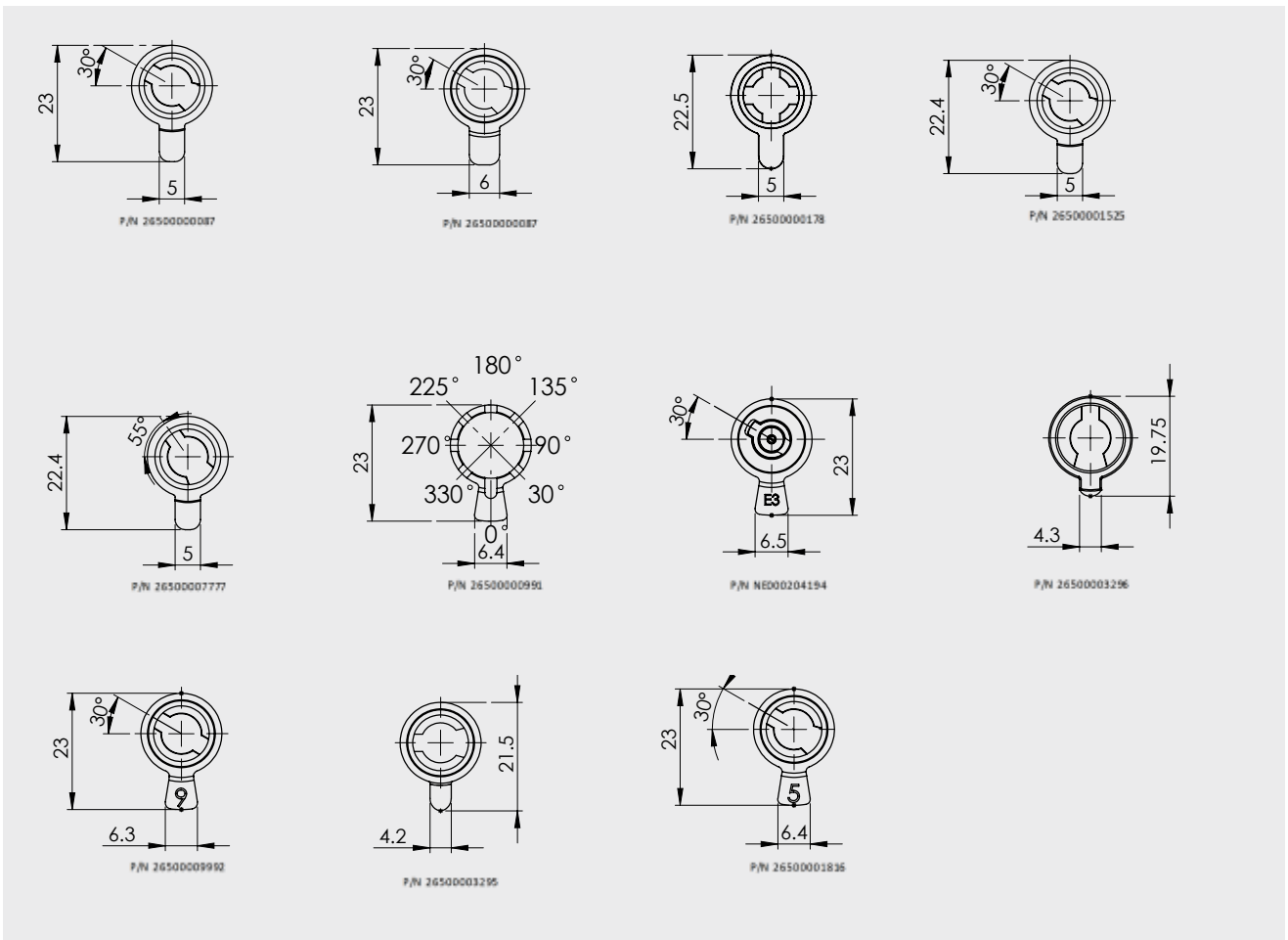


Oval Grooved



Oval

Operators Table



RB Key Blanks



Oval LOCXIS®
Key-Head



Keylocx Key-Head



PANTONE®
5405 C



PANTONE®
Cool Gray 8



PANTONE®
7506 C



PANTONE®
5285 C



PANTONE®
3145 C



PANTONE®
436 C



PANTONE®
399 C



PANTONE®
680 C



PANTONE®
5767 C



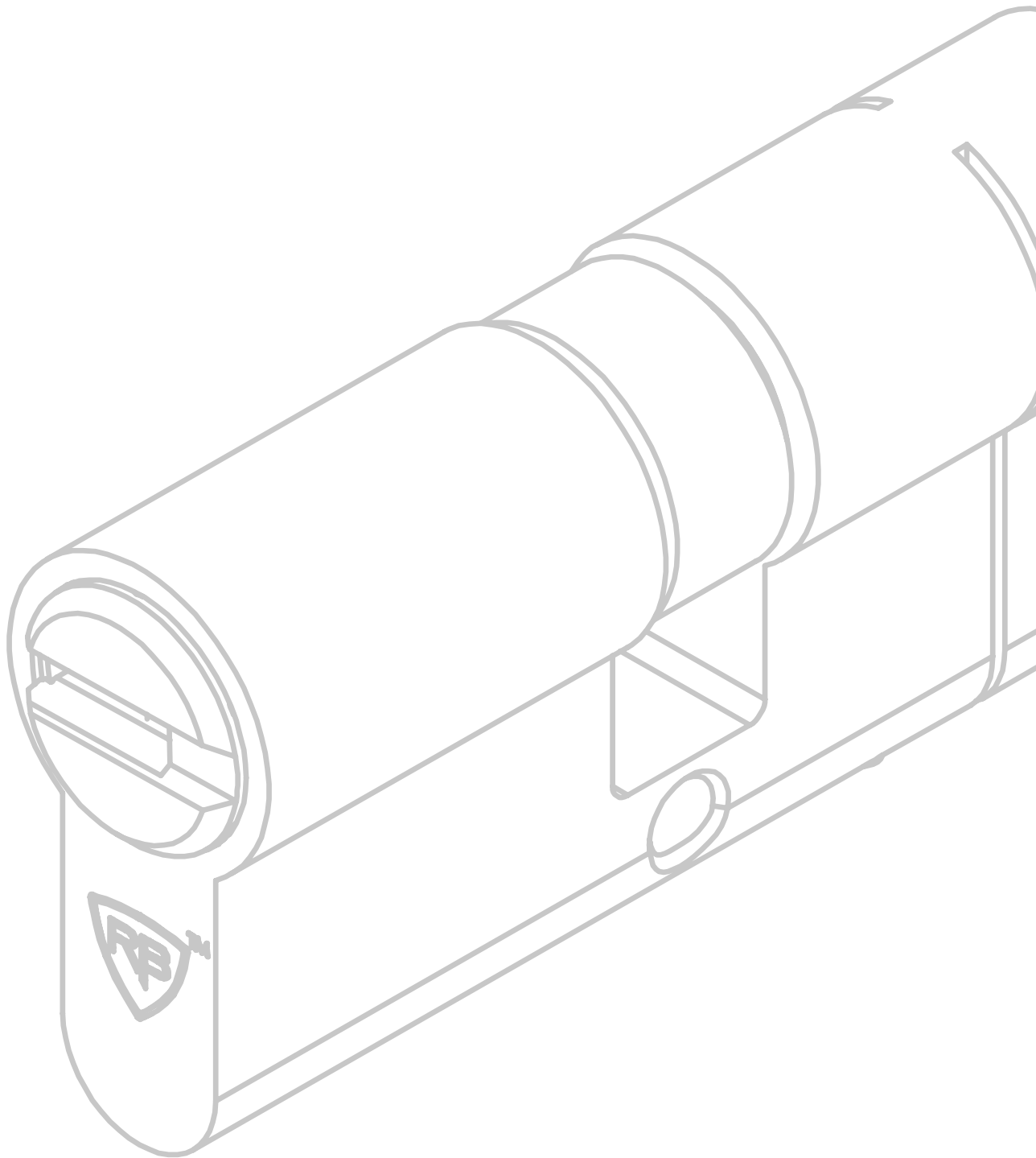
PANTONE®
185 C



PANTONE®
2726 C

Key-head can be ordered with customer's name or logo (minimum order amounts apply, please inquire)

Cylinders



Cylinders

Euro Profile Cylinder

Suitable for locks using Euro profile cylinders, compatible with RB multi point locks. Standard double or single cylinder.



Technical Specifications

Technical Drawings

Operation 360° rotation by operating key or thumb turn

Dimensions As requested

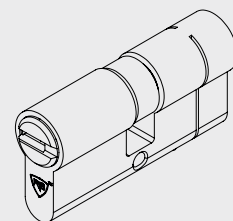
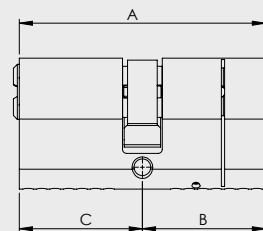
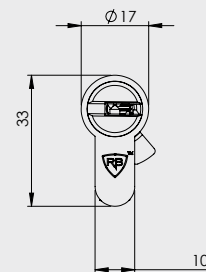
Materials Body and plug: Brass
Pins: Stainless steel
Accurately machined telescopic pin system, allows building complex master systems.
Cylinder is protected by four hardened steel anti-drilling pins (double cylinder).

Finishes available (Standard) Nickel Satin (US15)
Shiny Brass (US3)
Nickel Chrome (US26)
Natural Brass

Cylinder platforms available Locxis
Keylockx

Standards EN1303
SII950

Applications Master Key Systems
Keyed Alike Systems
X3* SmartKey
Emergency Cylinder
(AS) Anti-Snap Cylinder and more



Cylinders

Double Cylinder

A	B	C
62	31	31
66	31	35
66	33	33
70	35	35
71	31	40
71	33	38
75	40	35
76	31	45
73	33	43
76	38	38
78	33	45
80	40	40
80	45	35
81	31	50
81	33	48
81	33	48
81	38	43
82	47.5	34.5
83	35	48
83	45	38
85	45	40
85	45	40
85	50	35
86	31	55
86	33	53
86	38	48
86	43	43
86	38	48
86	43	43
88	40	48
88	50	38
90	45	45
90	50	40

A	B	C
90	55	35
91	31	60
91	33	58
91	38	53
91	43	48
93	40	53
95	50	45
95	55	40
95	60	35
96	31	65
96	33	63
96	38	58
96	43	53
96	48	48
100	50	50
100	55	45
100	60	40
100	65	35
101	31	70
101	38	63
101	43	58
101	48	53
101	68	33
105	55	50
105	60	45
105	65	45
105	70	35
106	53	53
110	55	55
110	60	50
110	65	45
110	70	40

A	B	C
110	75	35
111	48	63
115	60	55
115	65	50
115	70	45
15	75	40
15	80	35
116	33	83
118	33	85
120	60	60
120	65	55
120	70	50
120	75	45
120	80	40
125	75	50
125	65	60
125	70	55
125	80	45
130	50	80
130	55	75
130	65	65
130	70	60
130	95	35
135	55	80
135	60	75
135	65	70
135	100	35

Single Cylinder

A	B
40.5	31
42.5	33
44.5	35
47.5	38
49.5	40
52.5	43
54.5	45
57.5	48
59.5	50
64.5	55
66.5	60
74.5	65
79.5	70
84.5	75
89.5	80
99.5	90

Cylinders

SKG+ Euro Profile Cylinder (Locxis)



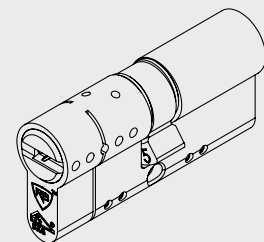
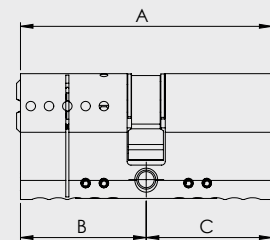
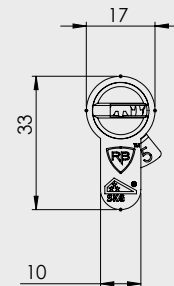
Compatible with Euro profile cylinder locks, including multi point locks produced by RB and other manufacturers for high security applications.



Technical Specifications

Technical Drawings

Operation	Operating key or thumbturn
Materials	Body and plug: Brass Keys: Nickel Silver Reinforced cylinder with drill resistant, hardened carbide pins, anti-snap slot and hardened steel, reinforcement plate.
Finishes (Standard)	Nickel Satin (US15) Shiny Brass (US3)
Standards	EN1303 SKG*** 3 stars rating
Cylinder Platforms Available	Locxis
Features	Pull Resistance – 1500Kg Snap Resistance (AS)
Applications	Keyed Different Keyed Alike Master Keyed X3 Smart key Emergency cam cylinder



Cylinders

SKG Euro Profile Cylinder



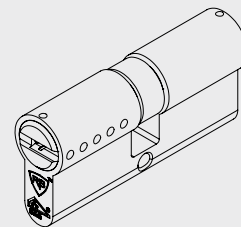
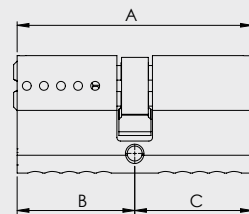
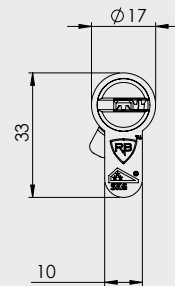
Compatible with Euro profile cylinder locks, including multi point locks produced by RB and other manufacturers for high security applications.



Technical Specifications

Technical Drawings

Operation	Operating key or thumbturn
Materials	Body and plug: Brass. Pins: Stainless steel. Reinforced cylinder with hardened carbide pins Keys: Nickel Silver
Finishes (Standard)	Nickel Satin (US15) Shiny Brass (US3)
Standards	EN1303 SKG*** 3 stars rating
Cylinder Platforms Available	Locxis
Features	Pull Resistance – 1500Kg
Applications	Keyed Different Keyed Alike Master Keyed X3 Smart key Emergency cam cylinder



Cylinders

SKG Euro Profile Cylinder (Keylox)

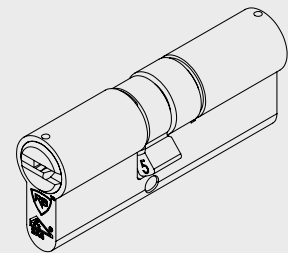
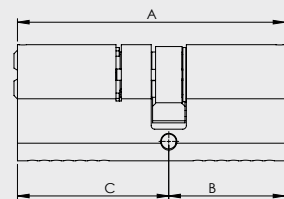
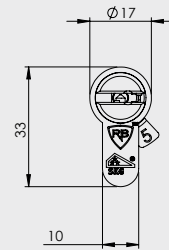
Compatible with Euro profile cylinder locks, including multi point locks produced by RB and other manufacturers for high security applications.



Technical Specifications ○

○ Technical Drawings

Operation	Operating key or thumbturn
Materials	Body and plug: Brass Pins: Brass Reinforced cylinder with hardened carbide pins Keys: Nickel Silver
Finishes (Standard)	Nickel Satin (US15) Shiny Brass (US3)
Standards	EN1303 SKG*** 3 stars rating
Cylinder Platforms Available	Keylox
Features	Pull Resistance – 1500Kg
Applications	Keyed Different Keyed Alike Master Keyed Emergency cam cylinder



Cylinders

Scandinavian Oval Cylinder

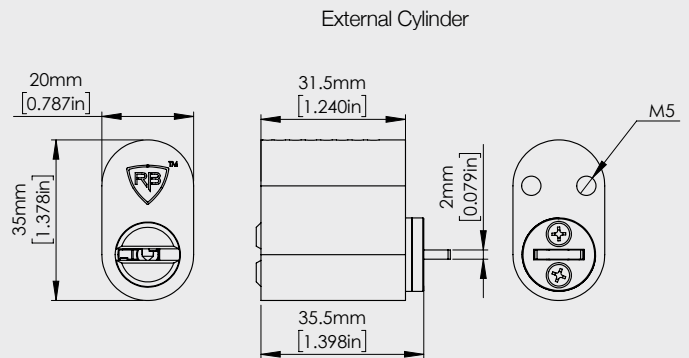
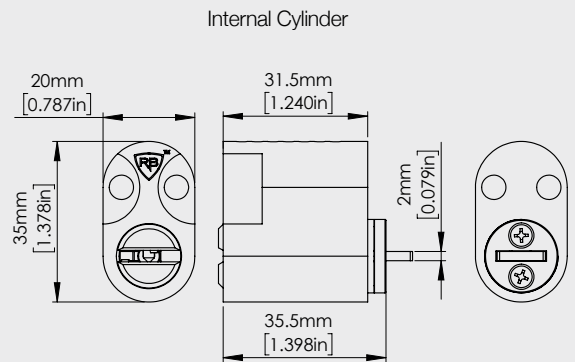
Cylinder suitable to “Assa” type lock cases.
Available as a pair of interior and external cylinders,
or, external cylinder only.



Technical Specifications

Technical Drawings

Operation	360° rotation by operating key
Materials	Body and plug: Brass Pins: Stainless steel Accurately machined telescopic pin system, allows building complex master systems. Cylinder is protected by hardened steel anti-drilling pins.
Finishes available (Standard)	Nickel Satin (US15) Shiny Brass (US3)
Cylinder platforms available	Locxis Keylockx



Cylinders

Rim Cylinder

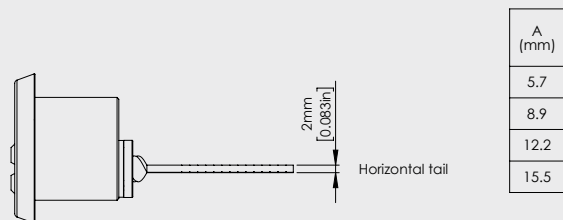
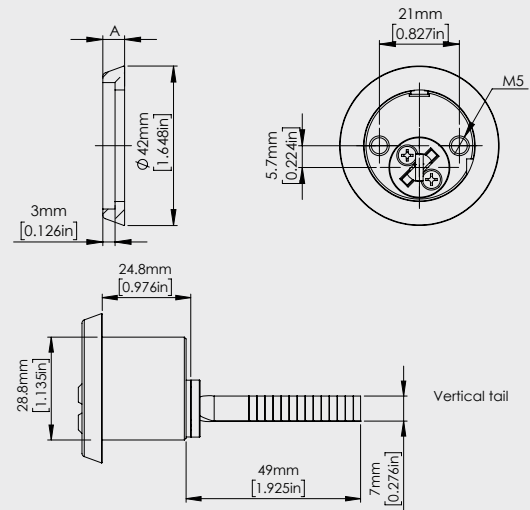
Tail cylinders suitable for use with a wide range of Rim locks for residential and commercial applications.



Technical Specifications

Technical Drawings

Operation	360° rotation by operating key
Materials	Body and plug: Brass Pins: Stainless steel Accurately machined telescopic pin system, allows building complex master systems. Cylinder is protected by hardened steel anti-drilling pins.
Finishes available (Standard)	Nickel Satin (US15) Shiny Brass (US3)
Cylinder platforms available	Locxis Keylockx



Cylinders

Mortise Cylinder

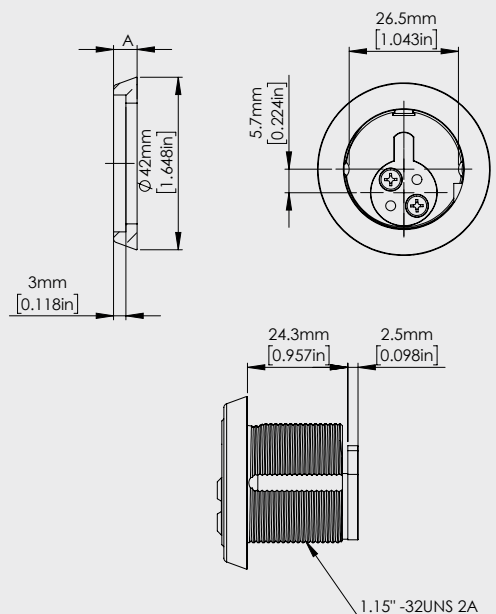
Cam cylinders suitable for residential and commercial applications.



Technical Specifications

Operation	360° rotation by operating key
Materials	Body and plug: Brass Pins: Stainless steel Accurately machined telescopic pin system, allows building complex master systems. Cylinder is protected by hardened steel anti-drilling pins.
Finishes (Standard)	Nickel Satin (US15) Shiny Brass (US3)
Cylinder platforms available	Locxis Keylocx

Technical Drawings



A (mm)
5.7
8.9
12.2
15.5

Cylinders

Combi Cylinder

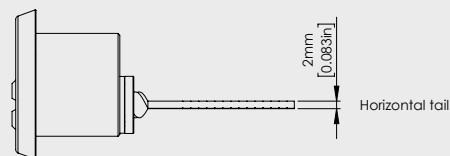
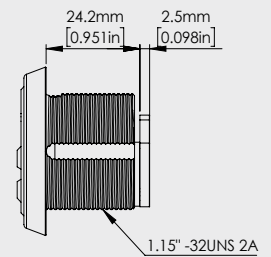
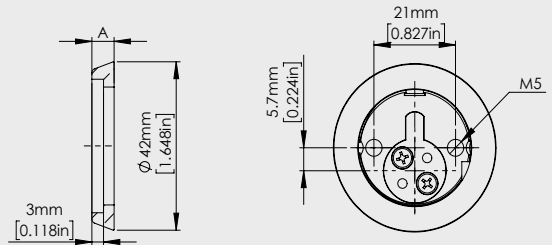
Tail or Cam cylinders suitable for use in residential and commercial applications and a wide range of locking mechanisms.



Technical Specifications

Technical Drawings

Operation	360° rotation by operating key UL437
Materials	Body and plug: Brass Pins: Stainless steel Accurately machined telescopic pin system, allows building complex master systems. Cylinder is protected by hardened steel anti-drilling pins.
Finishes available (Standard)	Nickel Satin (US15) Shiny Brass (US3)
Cylinder platforms available	Locxis Keylox



A (mm)
5.7
8.9
12.2
15.5

Cylinders

KIK Cylinder

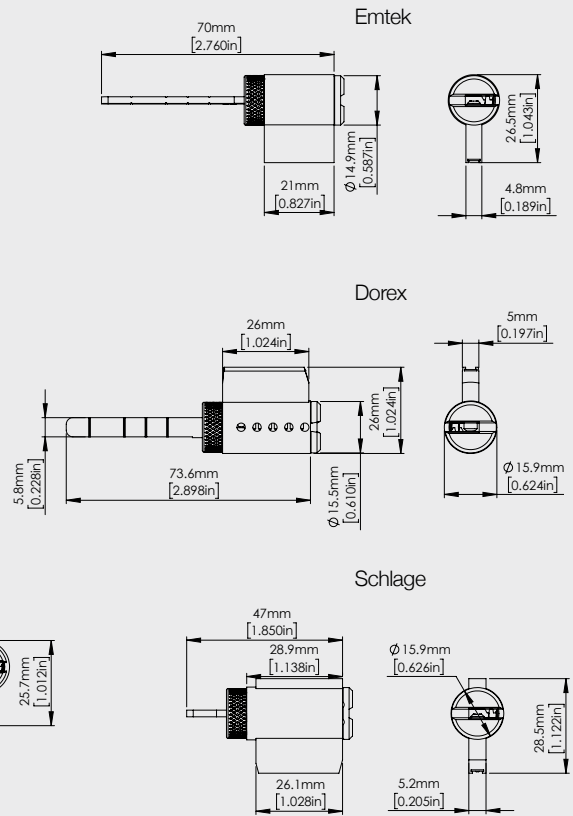
(K.I.K) Key-In-Knob cylinder compatible with “Dorex” deadbolt lock, “Emtek” deadbolt lock, “Schlage” knob set/lever set and “Sargent” lever set.



Technical Specifications

Operation	360 °rotation by operating key
Materials	Body and plug: Brass Tail: Hardened steel Pins: Stainless steel Accurately machined telescopic pin system, allows building complex master systems. Cylinder is protected by hardened steel anti-drilling pins.
Finishes (Standard)	Nickel Chrome Matte (US26D)
Cylinder platforms available	Locxis Keylocx

Technical Drawings



Cylinders

Oval Cylinder

Suitable for use with UK oval profile standard double cylinder lock cases.

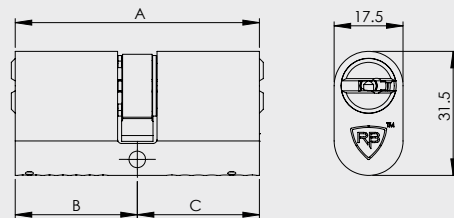


Technical Specifications

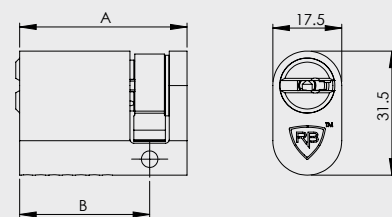
Technical Drawings

Operation	360° rotation by operating key or thumb turn
Materials	Body and plug: Brass Pins: Stainless steel Accurately machined telescopic pin system, allows building complex master systems. Cylinder is protected by hardened steel anti-drilling pins.
Finishes available (Standard)	Nickel Satin (US15) Shiny Brass (US3)
Standards	EN1303
Cylinder platforms available	Locxis Keylock

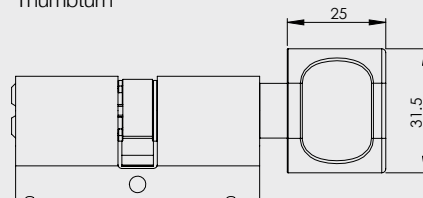
Double cylinder



Single cylinder



Thumbturn



Cylinders

Condor - 1090

Compatible with "Scanavini" type lock cases.



Technical Specifications

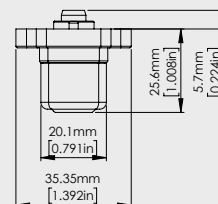
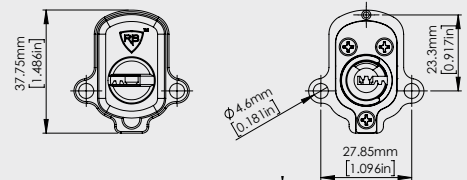
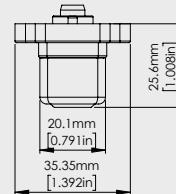
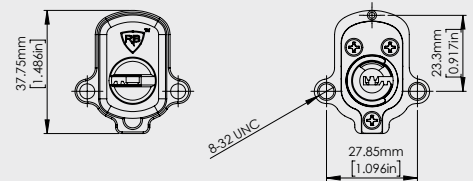
Operation 360° rotation by operating key

Materials Body and plug: Brass
 Pins: Stainless steel
 Accurately machined telescopic pin system, allows building complex master systems.
 Cylinder is protected by hardened steel anti-drilling pins.

Finishes available (Standard) Nickel Satin (US15)
 Shiny Brass (US3)

Cylinder platforms available Locxis

Technical Drawings



Cylinders

Andini

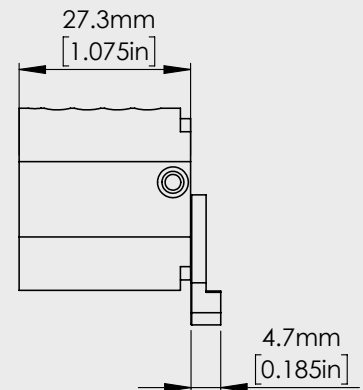
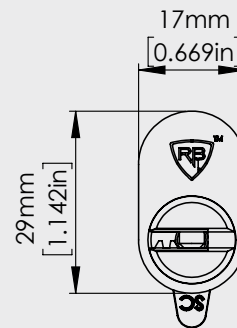
Compatible with “Scanavini” type lock cases.



Technical Specifications

Technical Drawings

Operation	360° rotation by operating key
Materials	Body and plug: Brass Pins: Stainless steel Accurately machined telescopic pin system, allows building complex master systems. Cylinder is protected by hardened steel anti-drilling pins.
Finishes (Standard)	Nickel Satin (US15) Shiny Brass (US3)
Cylinder platforms available	Locxis



Cylinders

Forclaz Cylinder

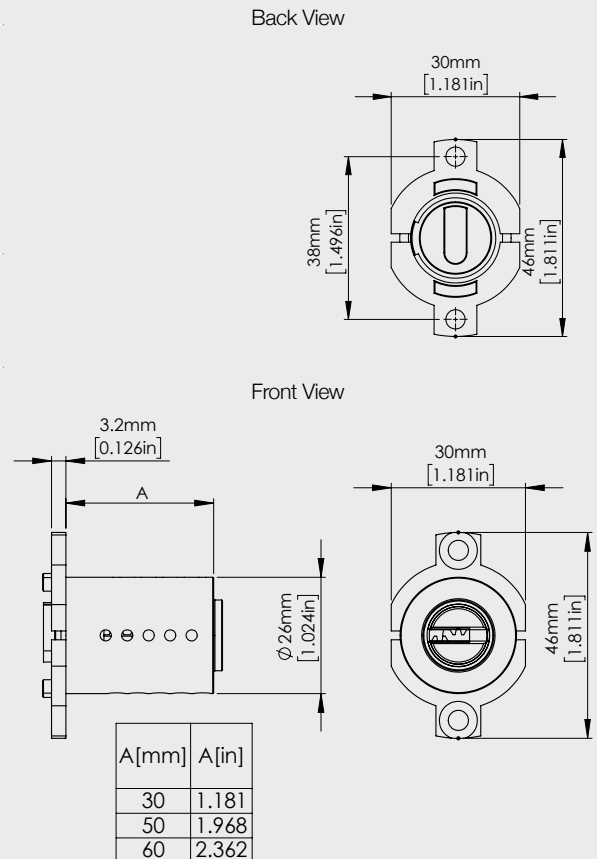
Cam cylinders suitable for “Fichet” type rim lock cases.
Available as a pair of interior and external cylinders, or separately.



Technical Specifications

Operation	360° rotation by operating key
Materials	Body and plug: Brass Pins: Stainless steel Accurately machined telescopic pin system, allows building complex master systems. Cylinder is protected by hardened steel anti-drilling pins.
Finishes available (Standard)	Nickel Satin (US15) Shiny Brass (US3)
Cylinder platforms available	Locxis

Technical Drawings



Cylinders

Class Room

The Classroom Cylinder is a Euro profile cylinder with a single direction thumb turn mechanism, enabling opening from the inside while eliminating the possibility of locking or preventing entrance by holding the thumb-turn.



Technical Specifications

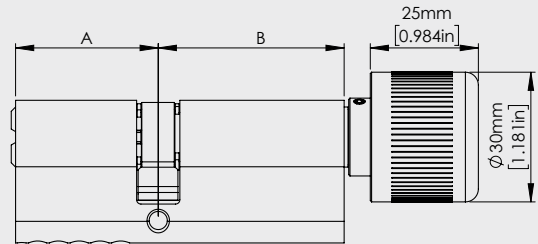
Technical Drawings

Operation 360° rotation by operating key or thumb turn to open only.

Materials Body and plug: Brass
Pins: Stainless steel
Accurately machined telescopic pin system, allows building complex master systems.
Cylinder is protected by hardened steel anti-drilling pins.

Finishes (Standard) Nickel Satin (US15)
Shiny Brass (US3)
Nickel Chrome Matte (US26D)

Cylinder platforms available Locxis



Cylinders

Swiss Profile Cylinder

Compatible with mortise lock cases using Swiss profile cylinders.



Technical Specifications

Technical Drawings

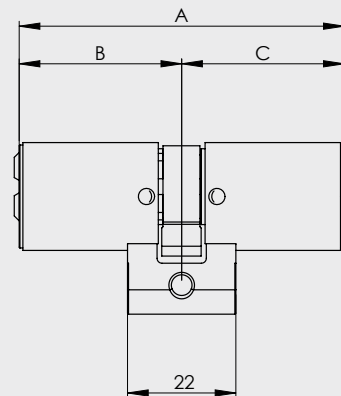
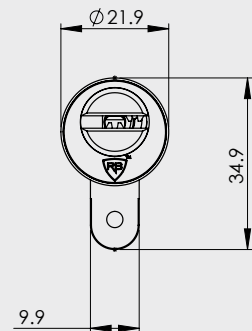
Operation 360° rotation by operating key or thumbturn.

Materials Body and plug: Brass
Cam: Steel
Pins: Stainless steel - accurately machined telescopic pin system, allows building complex master systems.

Finishes available (Standard) Nickel Satin (US15)

Cylinder platforms available Locxis

Applications Keyed Different
Keyed Alike
Master Keyed
X3 Smart key



Cylinders

Charvin Cylinder

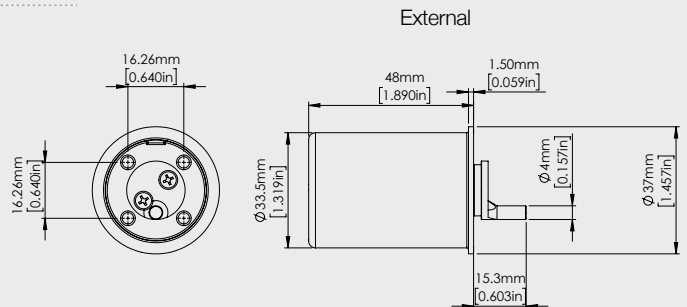
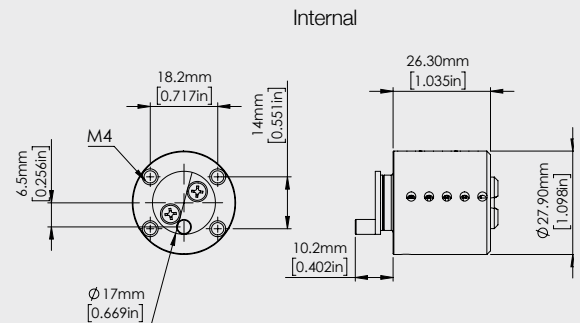
Cam cylinders suitable for “Cazis” type lock cases.
Available as a pair of interior and external cylinders, or, external cylinder only.



Technical Specifications

Technical Drawings

Operation	360° rotation by operating key
Materials	Body and plug: Brass Pins: Stainless steel Accurately machined telescopic pin system, allows building complex master systems. Cylinder is protected by hardened steel anti-drilling pins.
Finishes available (Standard)	Nickel Satin (US15) Shiny Brass (US3)
Cylinder platforms available	Locxis Keylockx



Cylinders

Julioz Cylinder

Suitable for “Keso” mortise lock cases.



Technical Specifications

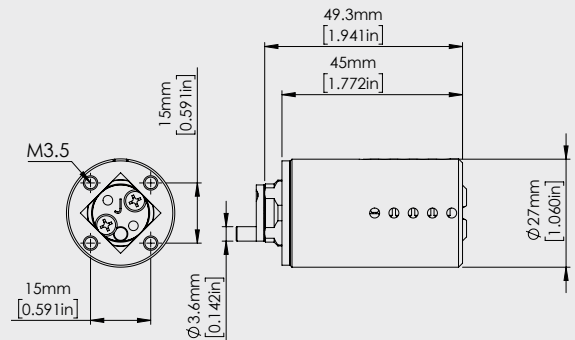
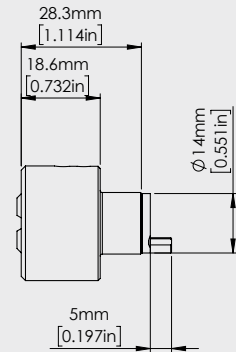
Technical Drawings

Operation 360 °rotation by operating key

Materials Body and plug: Brass
 Pins: Stainless steel
 Accurately machined telescopic pin system, allows building complex master systems.
 Cylinder is protected by hardened steel anti-drilling pins.

Finishes (Standard) Nickel Satin (US15)
 Shiny Brass (US3)

Cylinder platforms available Locxis



Cylinders

Verrou Sambuy

Cam cylinders suitable for "Vachette" type rim lock cases.



Technical Specifications

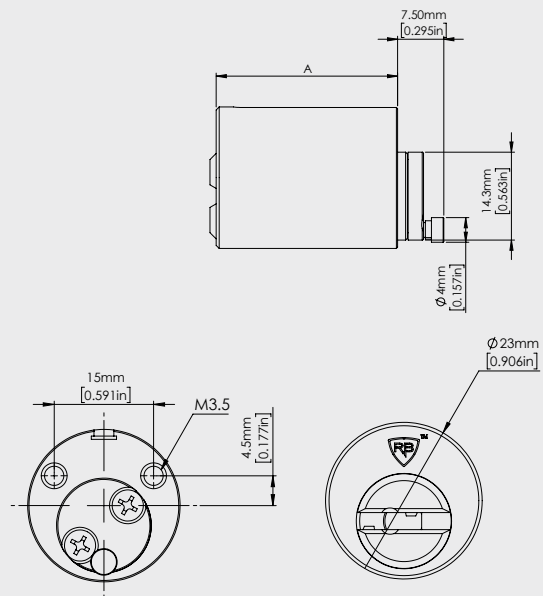
Technical Drawings

Operation Rotation by operating key
Identical interior and external cylinders

Materials Body and plug: Brass
Pins: Stainless steel
Accurately machined telescopic pin system, allows building complex master systems.
Cylinder is protected by hardened steel anti-drilling pins.

Finishes available (Standard) Nickel Satin (US15)
Shiny Brass (US3)

Cylinder platforms available Locxis
Keylox



A[mm]	A[in]
31	1.220
47	1.850
53	2.086
63	2.480

Cylinders

Trelod Cylinder

Cam cylinders suitable for “Fichet” type rim lock cases.



Technical Specifications

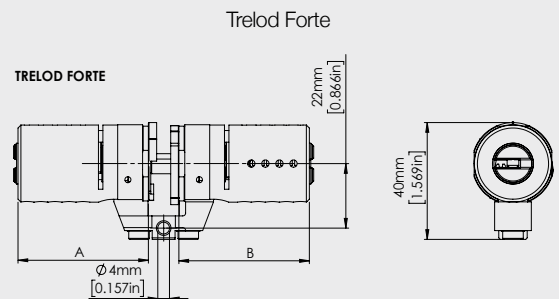
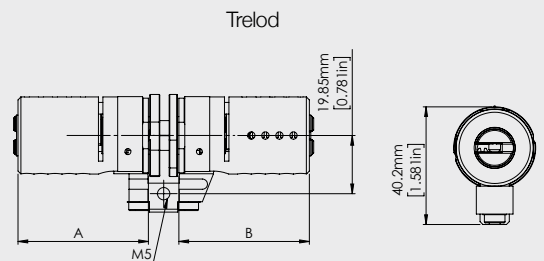
Technical Drawings

Operation 360 °rotation by operating key

Materials Body and plug: Brass
Pins: Stainless steel
Accurately machined telescopic pin system, allows building complex master systems.

Finishes (Standard) Nickel Satin (US15)
Shiny Brass (US3)

Cylinder platforms available Locxis



Cylinders

Modular

The Modular kit offers flexibility for locksmiths, allowing for immediate response and ability to provide any cylinder dimension on demand, including on site. The RB modular cylinder is easy to assemble and disassemble and requires minimum tooling and effort.

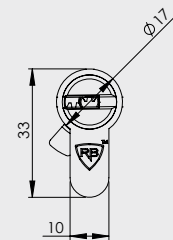
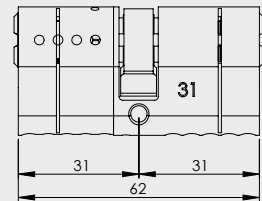


Technical Specifications

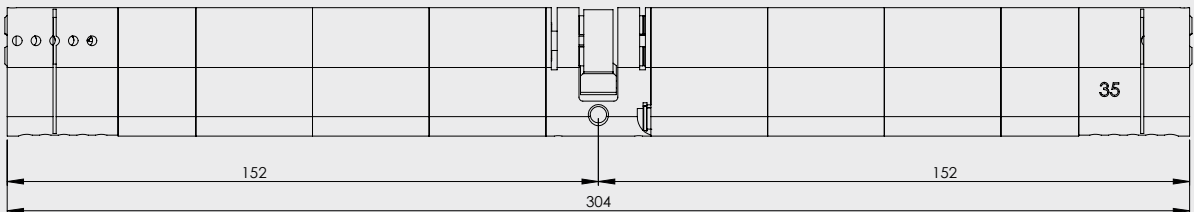
Technical Drawings

Operation	Operating key or thumbturn
Materials	Body and plug: Brass Pins: Stainless steel Keys: Nickel Silver
Finishes (Standard)	Nickel Satin (US15) for cylinder units
Cylinder platforms available	Locxis
Applications	Keyed Different Keyed Alike Master Keyed Emergency cam cylinder

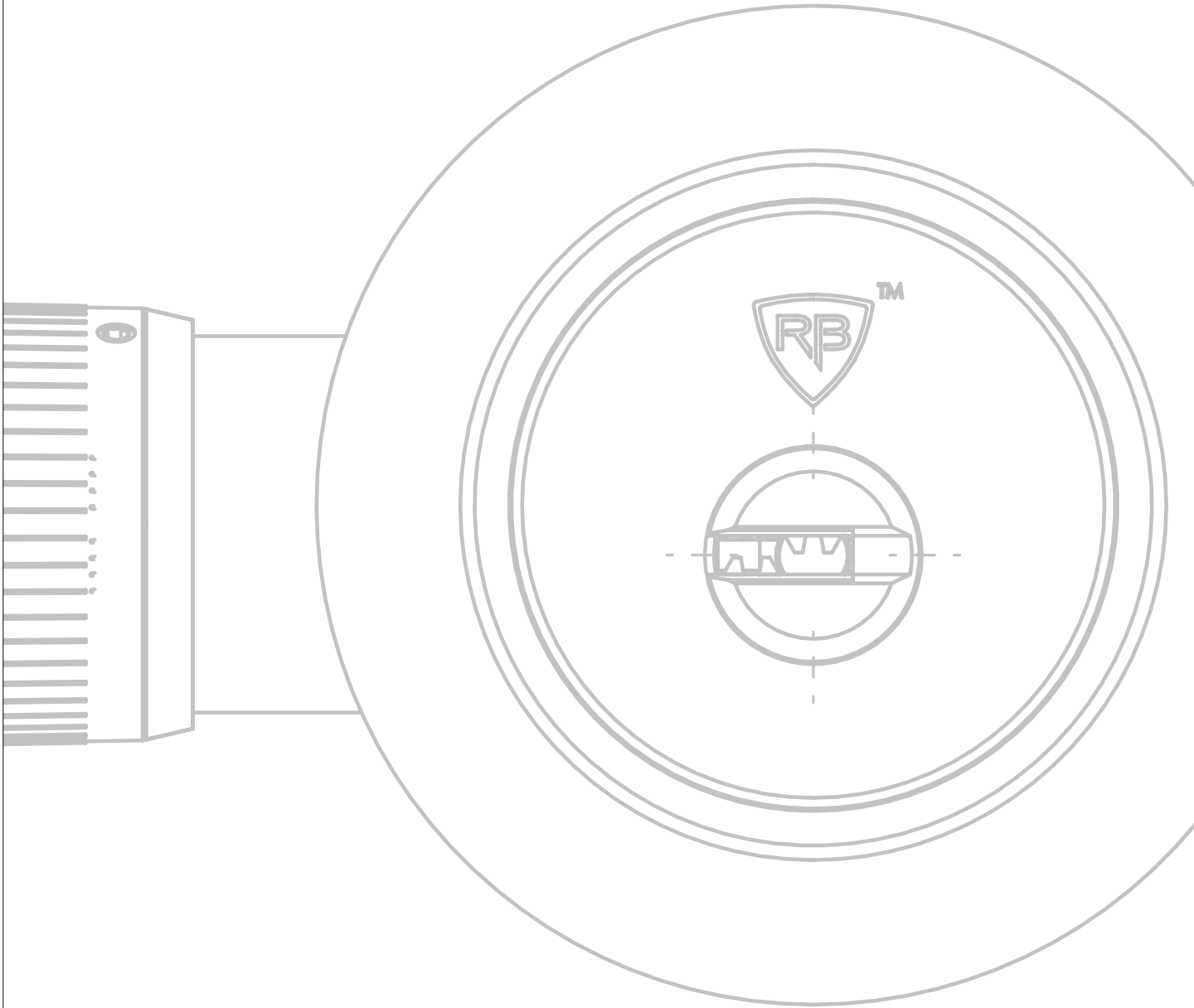
Min Dimension



Max Dimensions For Modular Cylinder



Locks



Locks

XBOLT Dead Bolt (Pat.Pend)

XBOLT™ ,RB-LOCKS® automatic interlocking mechanism which secures itself to the door frame when the bolt is in the locked position.

The XBOLT™ deadbolt cylinder is secured by the LOCXIS® key system technology.

The XBOLT™ is Security listed by the American standard UL437 and UL10B.



Technical Specifications

Technical Drawings

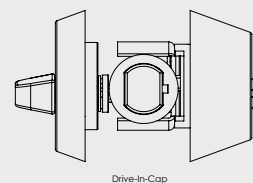
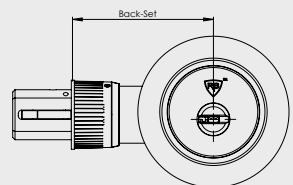
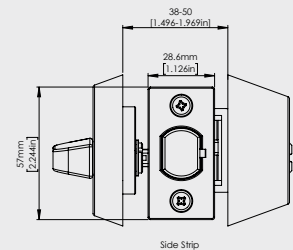
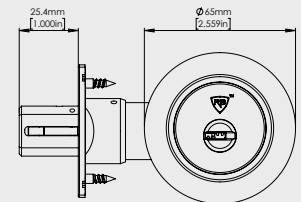
General Patent pending tubular lock exclusive to RB-LOCKS. When bolt is in the locked position, the XBOLT™ interlocks with the door frame. The lock is operated by RB-Locks Locxis® cylinder and can be applied to various systems, including; keyed different, keyed alike, master keyed and X3 rekeying platform.

Operation Single cylinder with interior thumb turn, or, double cylinder for key operation on both sides.
Keyed alike possible for both deadbolt lock and the door's main cylinder.
Adjustable backset bolt from 2³/₈" to 2³/₄".

Material Cylinder, rosettes and thumb turn: brass
Bolt: hardened steel

Finishes available Nickel Satin (US15)
Shiny Brass (US3)
Nickel Chrome Matte (US26D)

Cylinder Platform Locxis
Keylock



Back-Set [mm]	Back-Set [inch]
60	2.362
70	2.756

Locks

Central Lock

Multi point locking system suitable for rear vehicle doors for a higher security level, and for wood and steel doors.



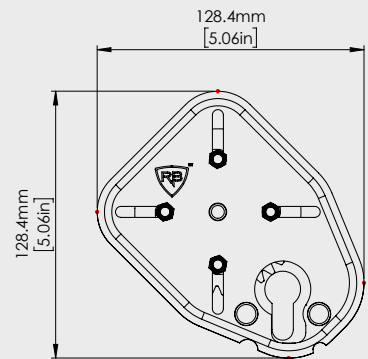
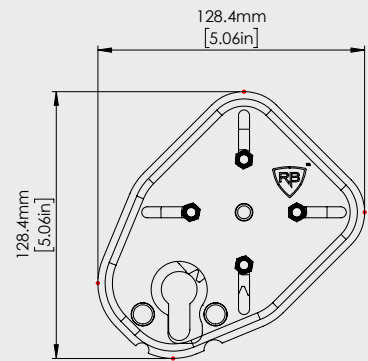
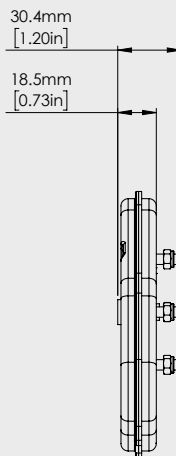
Technical Specifications

Operation
Performs geometric locking
Equipped with RB Cylinder
Optional decorative cover
Available for both left and right doors
(different locks for right/left side)
Operated by RB 10 teeth gear.

Materials
Case, mechanism and bolts: Steel

Finishes
Decorative cover: Black, Stainless steel

Technical Drawings



Locks

Switch 22 Lock

Micro-switch cylinders used to control electric circuits such as electric shutters, parking gates, etc.



Technical Specifications

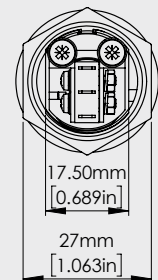
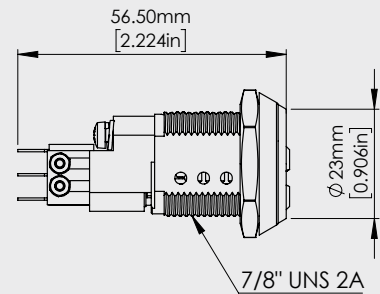
Technical Drawings

Operation Micro- switch : 5A 250VAC
Momentary/Permanent Electric Switch operation

Material Body and plug: Brass
Pins: Stainless steel
Accurately machined telescopic pin system, allows building complex master systems. Cylinder is protected by hardened steel anti-drilling pins.

Finishes available Nickel Satin (US15)
Shiny Brass (US3)
Nickel Chrome Matte (US26D)

Cylinder platforms available Locxis



Locks

Mail Box Cylinder

Cam locks for mail boxes.



Technical Specifications

Technical Drawings

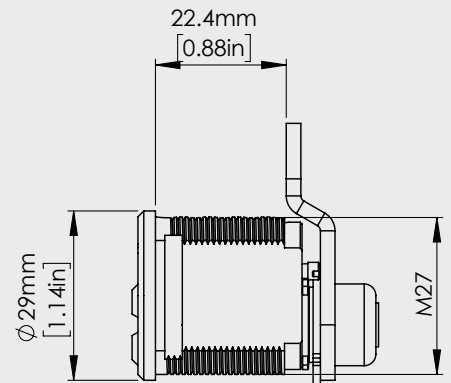
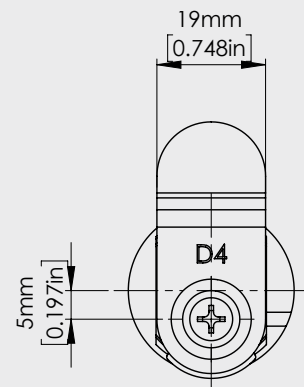
Operation 90° cam rotation by operating key. Adjustable for clockwise and counter clockwise operation.

Materials Body and plug: Brass
Cam: Steel
Pins: Stainless steel - accurately machined telescopic pin system, allows building complex master systems.

Finishes available (Standard) Nickel Satin (US15)

Cylinder platforms available Locxis

Applications Keyed Differen
Keyed Alike
Master Keyed
X3 Smart key



Locks

Cam Locks

Cam cylinders suitable for a variety of applications: cabinets, drawers, personal lockers, coin operated machines, etc. Available in sizes 19, 22 and 29.

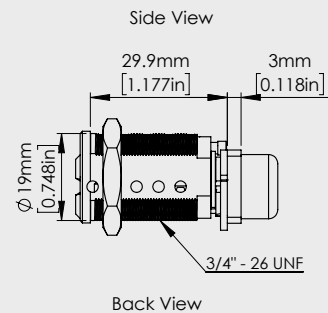


Technical Specifications

Technical Drawings

Operation	90° rotation by operating key. Can be operated clockwise or counter-clockwise
Material	Body and plug: Brass Pins: Stainless steel Accurately machined telescopic pin system, allows building complex master systems. Cylinder is protected by hardened steel anti-drilling pins.
Finishes available	Nickel Satin (US15) Shiny Brass (US3)
Cylinder platforms available	Locxis

Cam 19 Locks



Required opening for installation

A	B
8	6.4°
9.4	5.5°

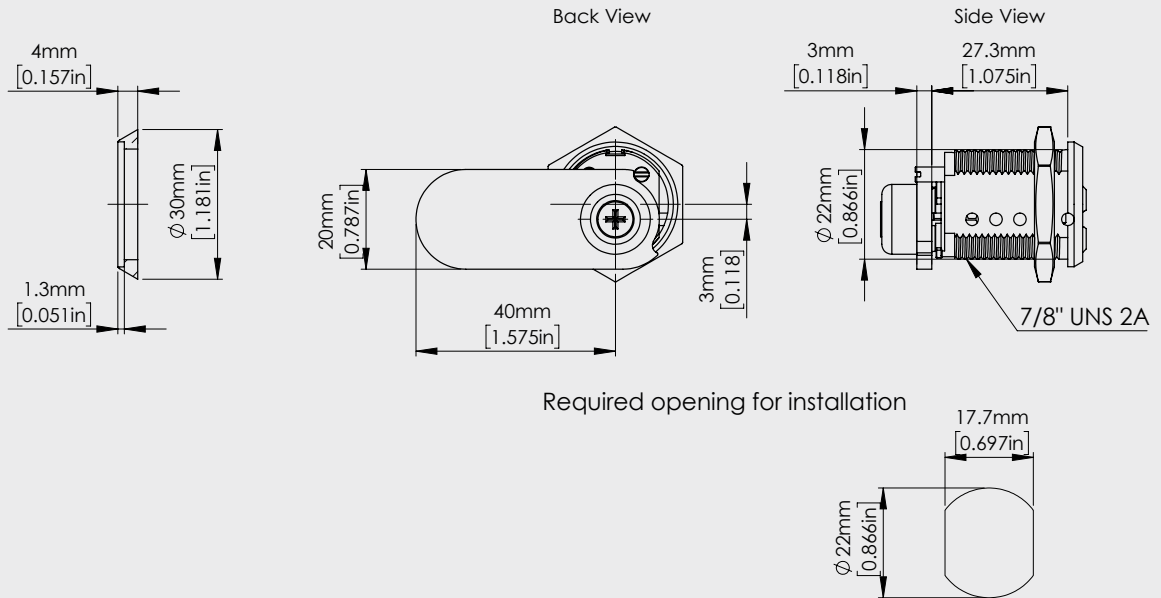


Locks

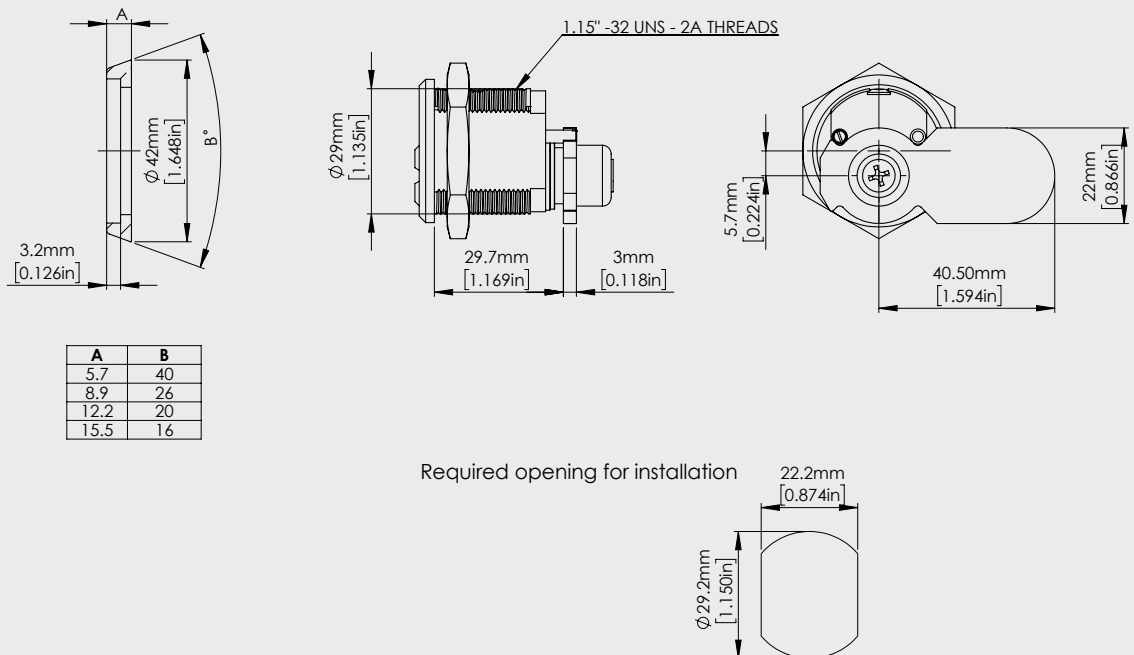
Cam Locks

Technical Drawings

Cam 22 Locks



Cam 29 Locks



Locks

Padlocks

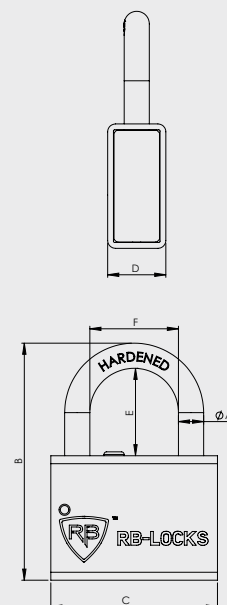
High security padlock series suitable for commercial and residential applications. RB padlocks can be supplied individually keyed, keyed alike, or as part of a master key system together with other RB cylinders or cam locks. For enhanced protection, the padlocks can be used with RB hasps.



Technical Specifications

Technical Drawings

Operation	Unlocking by 55°, 65° key rotation. with RB high security cylinder
Dimensions	8, 10, 13 and 16
Shackle type	22mm, 50mm and 102mm
Options	Removable shackle or pop, draining holes and dust cover
Materials	Mechanism-Steel Cover and Shackle- Hardened steel
Standards	SII 21
Finishes available	Nickel Satin (US15) Black coating
Cylinder platforms available	Locxis Keylocx



Model	Shackle Type	A	B1	B2	B3	C	D	E1	E2	E3	F
PL 8	Connected	8	77.5	105.5	157.5	50	22	22.5	50.5	102.5	33.3
PL 10	Connected	10	89.4	117.4	158.4	63	22	32.4	60.4	101.4	33.3
	Removable										
PL 13	Connected	12.7	101.3	122.3	166.3	73	25.4	37.2	58.2	102.2	33.3
	Removable										
PL 16	Connected	15.9	118.5	132.5	171.5	92	32.6	48.8	62.8	101.8	40

Locks

Padlocks G

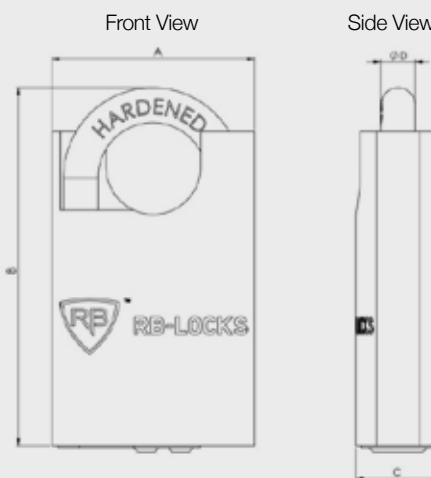
The 470P and 570P models are solid brass body padlocks with shackle protectors suitable for general use.



Technical Specifications

Operation	Double bearing ball locking mechanism with 90 degrees key rotation. Equipped with RB high security cylinder.
Dimensions	47mm (G47P), 55mm (G55P)
Materials	Body: Brass Shackle: Hardened steel
Finishes	Nickel Satin (US15) Shiny Brass (US3)
Cylinder platforms available	Locxis Keylocx Suitable for keyed alike and master keyed systems

Technical Drawings



Size Chart

Model	A(mm)	B(mm)	C(mm)	D(mm)
G47P	47	88	20	8
G55P	55	90	22	10

Locks

Drawer Latch Lock

For securing a variety of cabinets, drawers and slam latches.



Technical Specifications

Technical Drawings

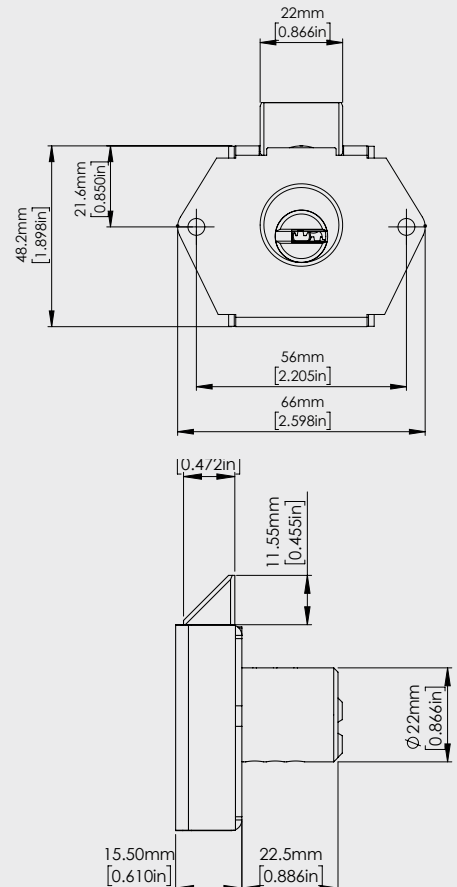
Operation 45° cam rotation by operating key

Material Body and plug: Brass
 Lock case: Steel
 Latch: Cast Zinc Alloy
 Pins: Stainless steel
 Accurately machined telescopic pin system, allows building complex master systems.

Finishes available Nickel Satin (US15)

Cylinder platforms available Locxis

Applications Keyed Different
 Keyed Alike
 Master Keyed
 X3 Smart key



Locks

Arcalod

Locking system for rear and/or side doors for vehicles.

The cylinder is protected by a rosette and a sliding dust shutter made from top quality, highly corrosion-resistant stainless steel.

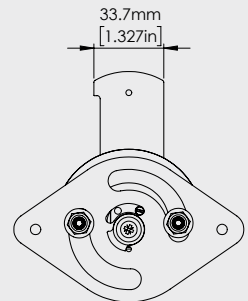
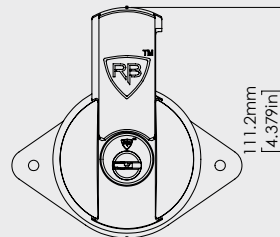
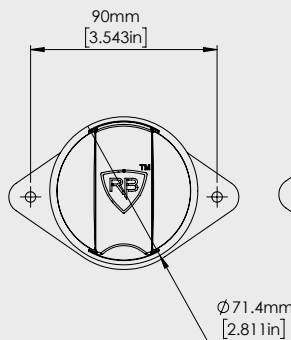
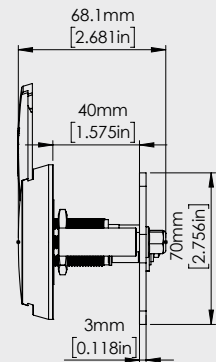
The cylinder is based on the Keylock platform, rotating the locking cam 90 degrees between two fixed positions: locked and open. The cam lock remains locked after key extraction in both positions.



Technical Specifications

Technical Drawings

Operation	360° rotation by operating key
Materials	Body and plug: Brass. Rosette and dust shutter: Stainless steel. Pins: Tumbler pins system made of brass. Cylinder is protected by hardened anti-drilling pins.
Finishes (Standard)	Nickel Satin (US15)
Cylinder platforms available	Keylock



Locks

Hasps

Secure housing for padlocks with removable shackle. The hasps may be welded or bolted to steel, wood or aluminum structures.



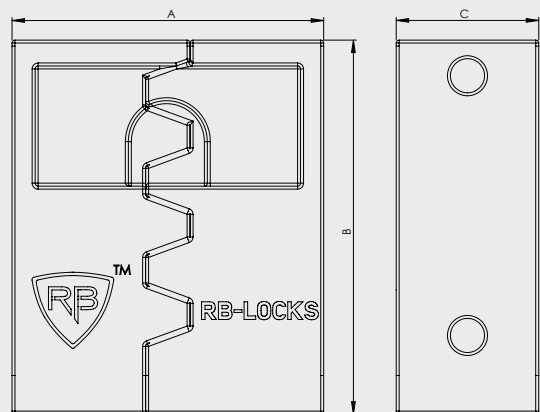
Technical Specifications

Materials High quality steel investment casting

Options Three sizes to fit the 10, 13 and 16 removable shackle padlock series

Hasps dimensions
Padlock 10: 80/95/40 mm
Padlock 13: 90/109 40 mm
Padlock 16: 110/116/48 mm

Technical Drawings



Size Chart

Hasp No.	A (mm)	B (mm)	C (mm)
10	80	95	40
13	90	109	40
16	110	116	48

Locks

Shackle Protector

Solid shackle protector for additional protection and enhanced security for removable and pop-up shackle padlocks.

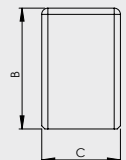
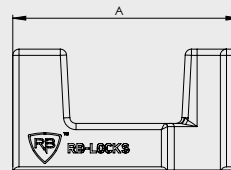
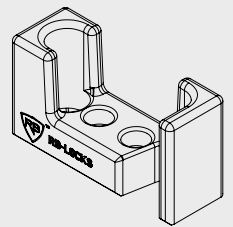
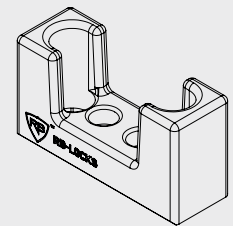


For pop-up shackles

For removable shackles

Technical Specifications ○ ————— ○ Technical Drawings

Dimensions	See table
Options	Suitable for 10, 13 removable or pop-up shackle padlock types
Materials	Cast Iron
Finish	Black coating



Locks

Upper Locks - Safe Locks

Security lever lock for wood and steel doors. Safe lock with rounded outer trim, suitable for installation-ready RB steel door or any other wood/steel door, includes drill resistant plate option.

Technical Specifications

Uses	Upper Mortice lock providing horizontal locking of thick bolts, designed to be used as an additional lock in the upper part of the door.
Operation	Double-sided safe key
Materials	Body: Steel Pins: Steel Drill Resistant plate (optional).
Finishes	Nickel Chrome (US26) coated outer trim, square or rounded, according to existing installation conditions of door.



Safe lock with square outer trim

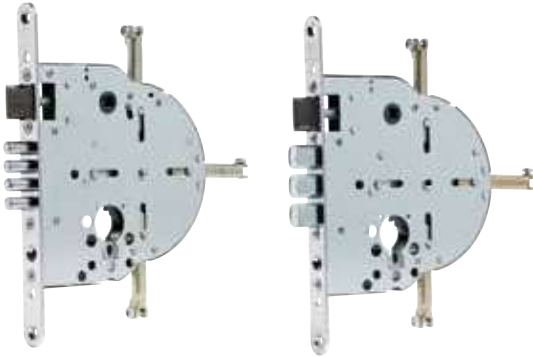


Locks

Multi Point Locks - 507, 606

Specifically designed for RB Security Steel Doors to provide multi bolt locking.

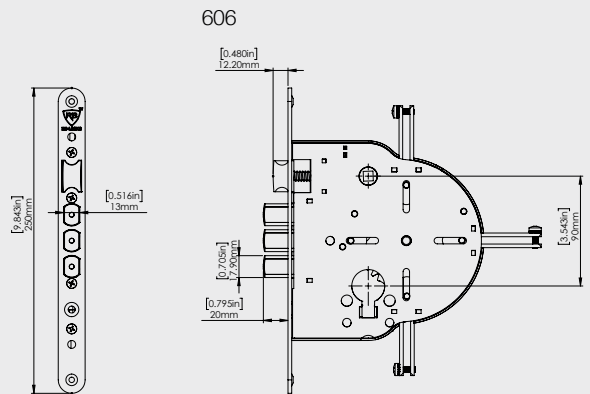
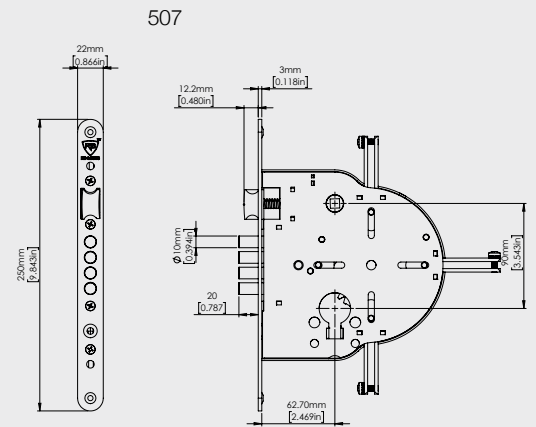
May be used with any wooden or hollow metal door.



Technical Specifications

Technical Drawings

Operation	507: 4 bolts of 10 mm each 606: 3 bolts of 13mm each
Operation	Performs geometric locking Operated by cylinder with gear (10 teeth). Latch is reversible for left or right doors.
Materials	Case, mechanism and bolts: Steel
Finishes	Side strip and bolts: Nickel Chrome (US26)



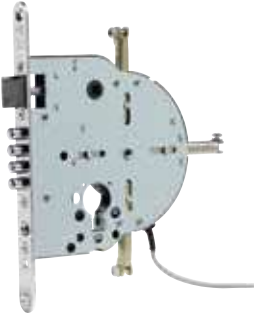
Locks

Multi Point Lock with Monitoring Function

A Multi Point lock with a high endurance micro-switch for detection of lock position (complete bolt extension).

The signal (opening or closing an electric circuit) can be sent to any desired destination, via a cable passing through the case.

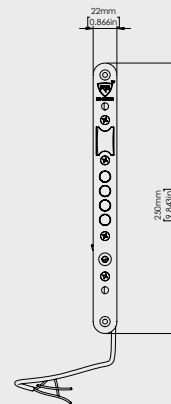
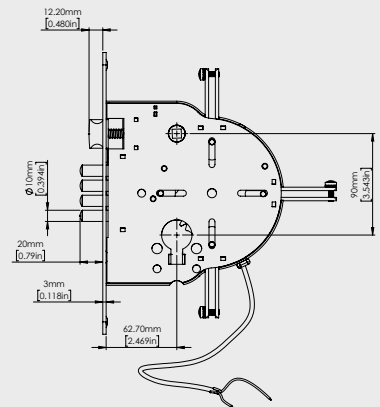
Specifically designed for RB Steel Doors to provide multi bolt locking.



Technical Specifications

Technical Drawings

Operation	Locked/Unlocked Indication. Performs geometric locking. Operated by RB Cylinder with gear. Latch is reversible for left and right doors. 110VAC , 220 VAC; 12 VDC; 5A max
Materials	Case, mechanism and bolts: Steel
Finishes	Side strip and bolts: Nickel Chrome (US26)



Locks

Fast Opening (Panic) Multi-Point Lock (Patented)

Specifically designed for RB Steel Doors to provide Multi Point emergency opening without using a key or knob by simply pressing the handle.



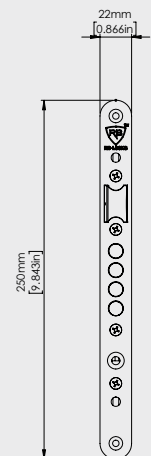
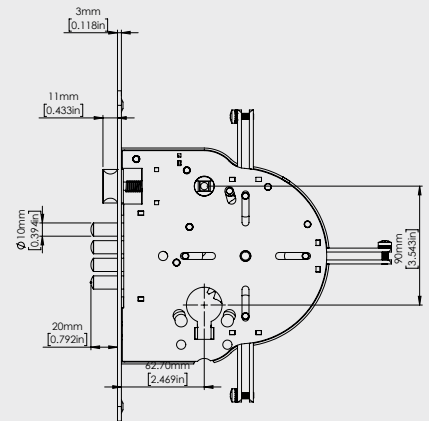
Technical Specifications

Operation
 Unlock and unlatch the lock from the interior side by operating the handle only.
 Suitable for use with thumbturn or RB emergency cylinders with gear (10 teeth).
 Performs geometric locking.
 Latch is reversible for left and right doors.

Materials
 Case, mechanism and bolts: Steel

Finishes
 Side strip and bolts:
 Nickel Chrome (US26)

Technical Drawings



Locks

R80 Lock

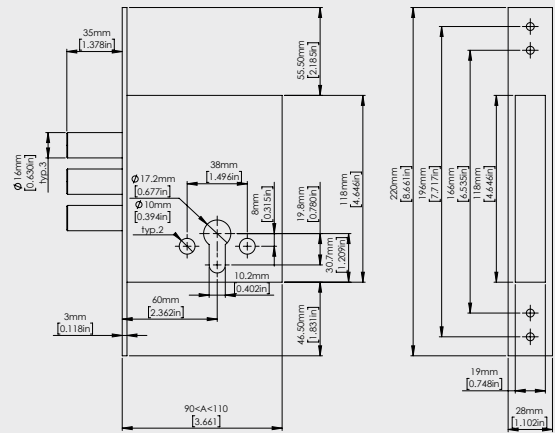
Complete kit for easy installation on doors, suitable for steel and wooden doors as main or secondary lock.



Technical Specifications

Technical Drawings

Features	35mm bolt protrusion Frame strike plate Hardened Steel Cylinder Protector Interior rosette cover
Cylinder platforms available	LOCXIS® Keylock
Finishes available	Nickel Satin (US15)



Locks

Mortise Lock – 100 Series

Mortise lock for installation on aluminum/metal doors with narrow profiles, with reversible latch for left or right door directions.



Technical Specifications

Operation	Euro profile cylinder
Materials	Steel/square outer trim
Finishes	Nickel

Mortise Lock – 101 Series

Mortise lock for installation on aluminum/metal doors with narrow profiles in 20/25/30/35 mm dimensions. The lock includes a reversible latch for either left or right door directions.



Technical Specifications

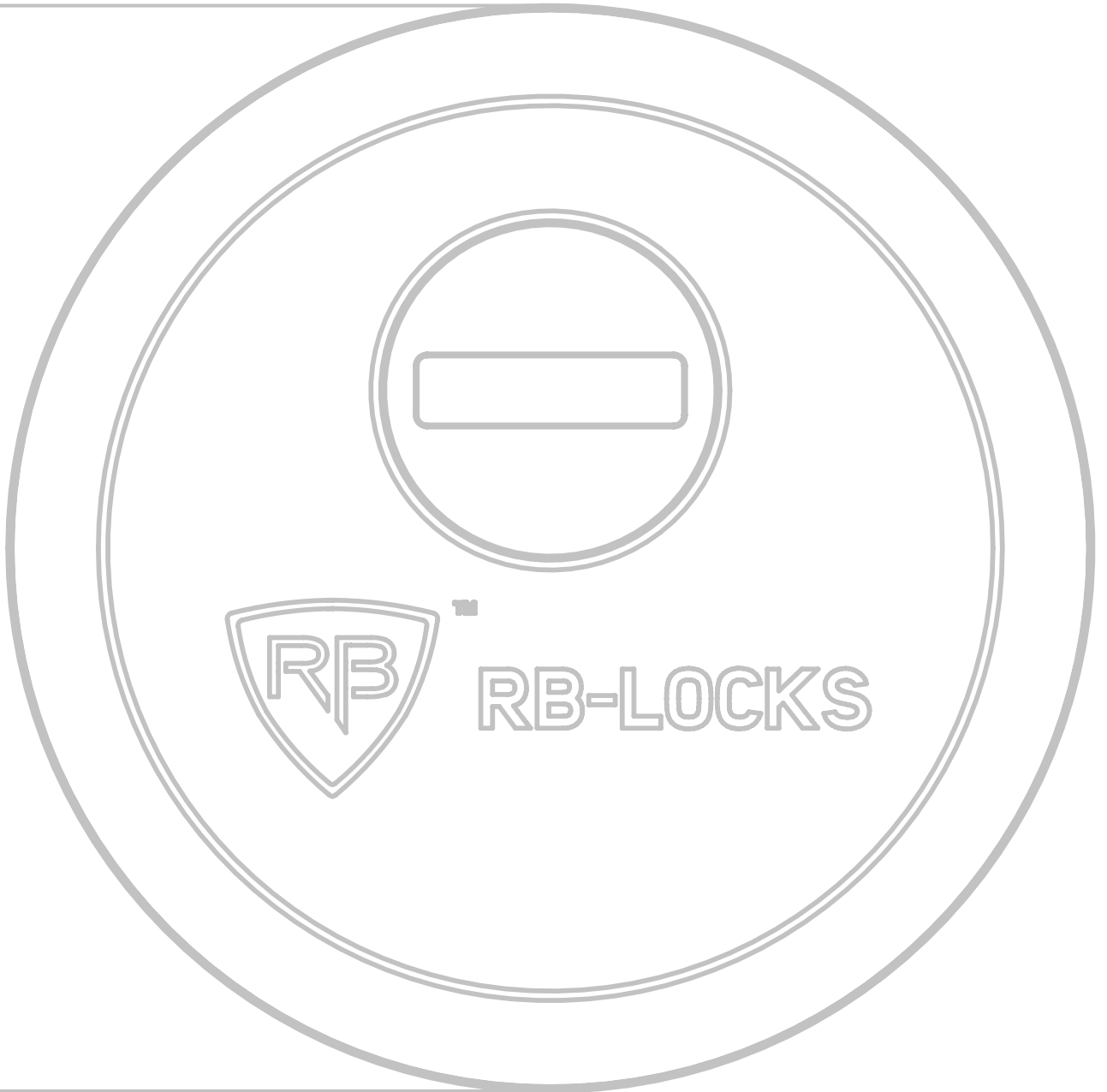
Operation	Euro profile cylinder
Materials	Steel/square outer trim
Finishes	Nickel

Dirone Cylinder 101

101-0 Key

101 Cylinder

ACCESSORIES



Accessories - For The Professional Locksmith

Key Cutting Machine



Locxis®



Kelocx™

LOCXIS® & KEYLOCX™ Key Blanks Package

Centralized safekeeping of key blanks, packaged according to customer's needs.



LOCXIS® & KEYLOCX™ Pin Set

Pin Set for administering changes in combinations and building Master Key and Keyed Alike Systems.

For use by locksmiths only.



Accessories - Command and Control

Electric Strikes for Metal, Aluminum and Wooden Doors

Access Control Systems for a variety of uses: offices, institutions, hotels. Online or Offline user management through software installed on laptop.

EasyKey Access Control System operated by code keypad. A range of available accessories including external card reader, power converter, safes, and advanced mini bar systems.



Technical Specifications

Operation	Independent electronic operation/ Management Software
Finish	Stainless Steel
Powered	On line/Off line

Electric Strikes for Metal, Aluminum and Wooden Doors

Eccentric electric lock for access control, customized for use with security doors such as the RB Steel Door.

The lock can be installed on both right and left doors and includes a power-off switch and adjustable latch.



Technical Specifications

Operation	All types of electronic keys (keypad, buzzer, biometric system, RFID card, etc.)
Materials	Body: Aluminum Bolt: Steel
Finish	Nickel

Accessories - Door Hardware

Fire Door Handles

Suitable for RB-Door Fire Doors. Reversible handles: left and right.
Options: Fixed or Movable



Cylinder Protector

For additional protection, highly drill-resistant decorative hardware for Euro profile cylinders, may be assembled on all types of doors of thicknesses between 40 to 65 mm.

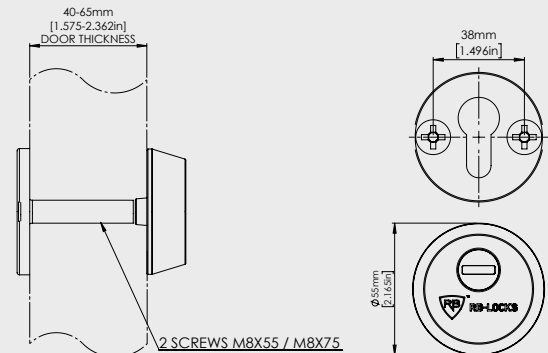


Technical Specifications

Technical Drawings

Materials External protector & rotating disk:
hardened steel Interior
cover: stainless steel.

Finishes Nickel Satin (US15)



Accessories - Door Hardware

Decorative Moveable Handle – "Emerald"

The "Emerald" hardware is suitable for entry doors with 507 and 606 RB multi-point locks.

Handles and Covers Finish: Nickel Brushed.

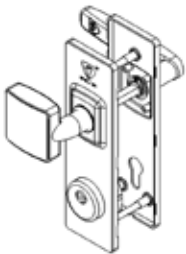
The "Emerald" hardware features a hardened cylinder protector with rotating disk.

The "Emerald" is available without covers (standard) or with stainless steel covers (optional).

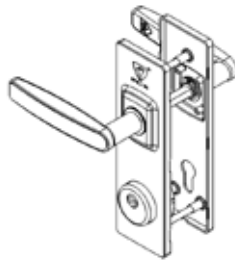


Technical Drawings

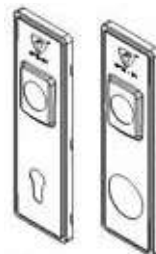
Movable-Fixed handle



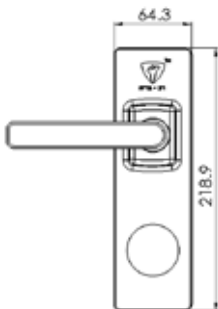
Movable-Movable handle



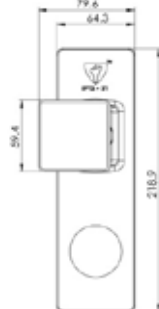
Stainless Steel Decorative Covers set



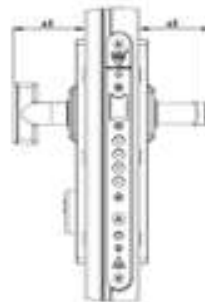
Inside



Outside



Side View



Accessories - Door Hardware

Decorative Moveable Handle – "Coral"

The "Coral" hardware is suitable for entry doors with 507 and 606 RB multi-point locks.

The hardware offers two types of handles: a stylish symmetrical movable handle and a round fixed handle, suitable for left or right doors.

Rosette and Handles Finish: Nickel Brushed

The "Coral" hardware features a hardened cylinder protector.



Technical Drawings

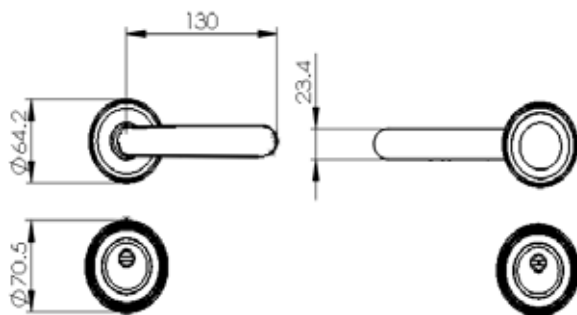
Movable-Fixed handle

Movable-Movable handle



Inside

Outside



Accessories - Door Hardware

Decorative Moveable Handle – "Sapphire"

The "Sapphire" hardware is suitable for entry doors with 507 and 606 RB multi-point locks.

The hardware offers two types of handles: a stylish symmetrical movable handle and a round fixed handle, suitable for left or right doors.

Rosette and Handles Finish: Nickel Brushed

The "Sapphire" hardware features a hardened cylinder protector.



Fixed

Movable

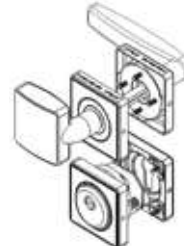
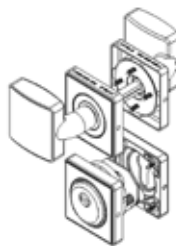
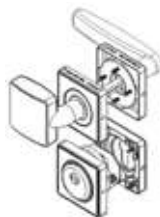
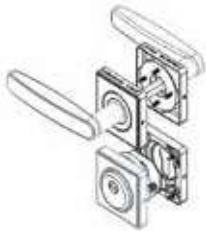
Technical Drawings

Two elongated Movable handles

Elongated Movable-Square Fixed Handles

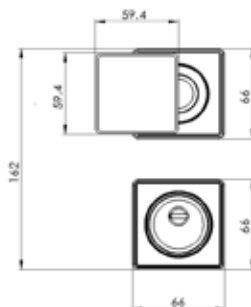
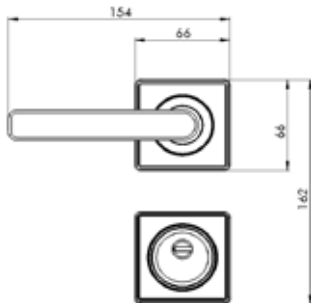
Two square Movable handles

Elongated Movable-Square Movable



Inside

Outside

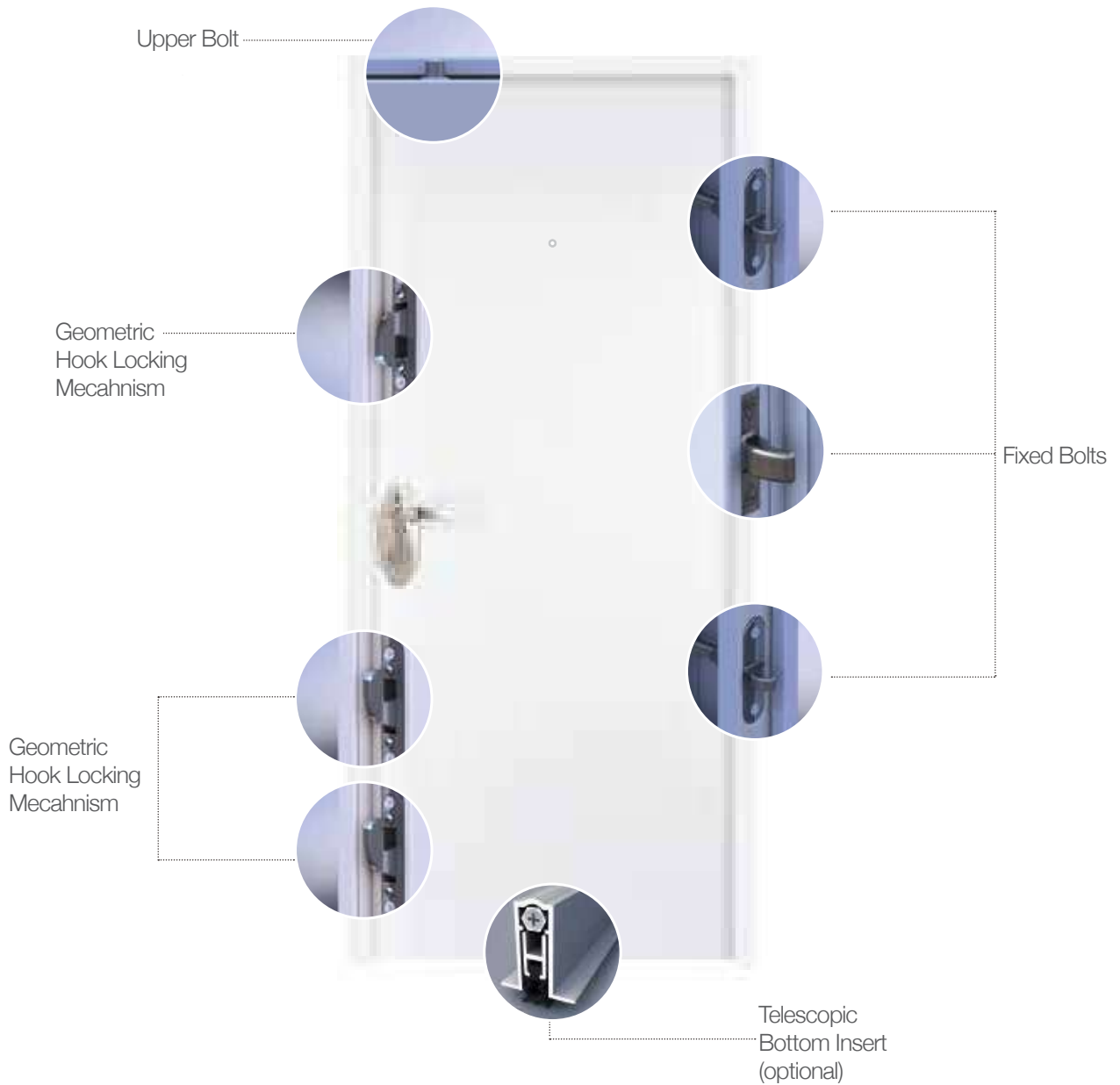


Security Doors

RB-DOORS, part of the RB-Group, continues to be a leading global player for decades with their superior security door solutions. RB-DOOR develops and produces stylish steel security doors incorporating the latest technologies and security systems, built for strength and durability in a wide range of fashionable designs.



Door Structure - Gladiator System



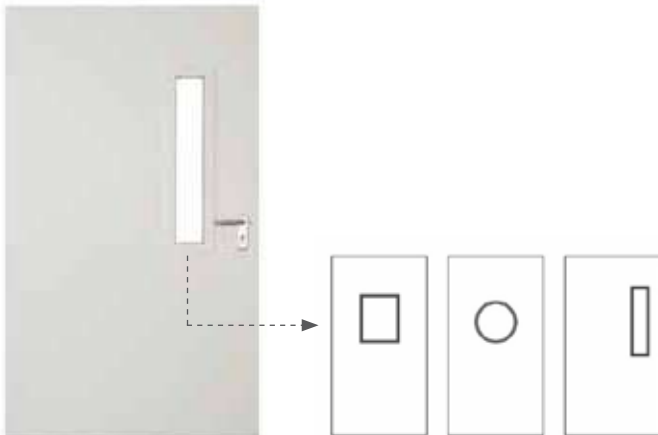
Fire Doors - 30/45/60/90/120 min

The single-leaf Fire door (30, 45, 60, 90 & 120 minute fire rated) meeting with Israeli and International fire regulations, providing outstanding protection and safety for various types of industries, facilities, storerooms and stairwells.

Technical Specifications

General Description	Door leaf with two 0.8 or 1.25mm thickness galvanized steel casings and interior reinforcements, intumescent gasket between door and frame. Fire rated hardware and telescopic bottom insert for final height adjustment
Hardware & Accessories	Fire rated lock Moveable lever door handles Fixed handle – optional Hydraulic closer – optional
Window Dimensions (optional)	600x400 mm 820x240 mm round 490 mm diameter
Door Finish	PVC finish or powder coating
Dimensions	Maximum door leaf height: 2470 mm Maximum door leaf width: 1120 mm Maximum frame dimensions: 2600X1200 mm
Certification	SII1212, EN1634, UL10C

For more information, please visit our website – www.rb-doors.com or contact RB local dealer.



Forced Entry – 5, 15 & 60 min

The Forced Entry (FE) Resistant Door Models FE5 / FE15 / FE60 are all manufactured by RB-DOORS according to the highest production standards and in compliance with special regulations of the Israeli Ministry of Defense.

The FE60, a Blast, Ballistic & Forced Entry Resistant Steel Security Door provides the highest protection against burglaries as well as against military rifle and submachine attacks. The FE60 was tested and certified by H.P White Labs in accordance with the standards and procedures of SD – STD – 01.01 revisions G (amended).

The FE doors are suitable for all building types where there is a need for special intruder protection– residential, commercial, institutional, security areas and for special purposes.

FE5 Force Entry protection level – 5 minutes

FE15 Force Entry protection level – 15 minutes

FE60 Force Entry protection level – 60 minutes

For more information, please visit our website – www.rb-doors.com or contact RB local dealer.



FE60



FE15

Bullet Proof Door - Model 769

The bullet resistant door model 769 is manufactured by RB-DOORS compliant to the highest production standards. This High Security door includes an advanced locking system and provides the protection needed for advanced security, high defense level facilities.

Technical Specifications

General Description	The door is made of two 1.25mm thick (Door weight is 120 kg - 150 kg) galvanized steel sheets, reinforced by horizontal steel bars set between the casing and the armor plate. RB's high security 4-way locking system with additional reinforcement mechanism, 4 heavy duty hinges and telescopic bottom insert for door height adjustment.
Certification	Ballistic resistant armor steel plate, tested according to UL 752 protection level 4-8. Ballistic resistant transparency tested according to DIN 52290 part 2, using an AK-47 rifle
Hardware and Accessories	RB's High security cylinder, hardened drill resistant cylinder protector with a rotating disc and security cover plates on both sides of the locking case.
Frame	Construction or cover frame Bullet proof frame - optional
Door Finish	Electrostatic powder coating, different colors, PVC coating or 3mm thickness wooden decorative panels. Bullet resistant window is optional

For more information, please visit our website – www.rb-doors.com or contact RB local dealer.

Scan to view



For our full product range, please visit our website www.rb-locks.com
or contact us at export@rav-bariach.com

Copyright © 2020 Rav-Bariach (08) Industries Ltd. All rights reserved



RB-LOCKS

www.rb-locks.com