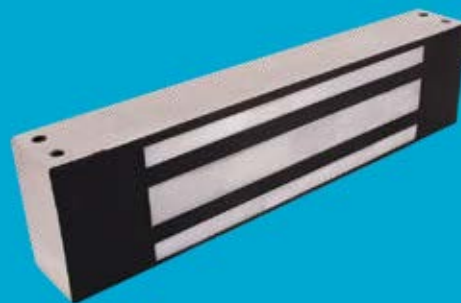


# Securitron® M82 Magnalock®

1,800 lbs holding force  
direct mounted Magnalock



## Industrial strength hold for challenging indoor/outdoor environments.

The M82 electromagnetic lock offers unsurpassed magnetic holding strength, durability and ease of maintenance for interior, perimeter and exterior access control applications in high-risk environments. With unsurpassed durability, the M82 will last long after most buildings wear out. Flexible mounting options are available for higher security locations and other environments where extreme forces may be encountered.

## Features

### Standard Features

- Efficient, low power usage
- Automatic dual-voltage—no field adjustment required
- Fully sealed for weatherproof operations
- Rust resistant—all ferrous metal surfaces plated for durability
- Instant release circuit—no residual magnetism
- Noise suppression with included MOV
- 10 ft [3.05m] of jacketed, stranded conductor cable
- Ultra-secure collapsing blind nuts mount to door frame for strength and reliability
- MagnaCare® lifetime replacement, no fault, no questions asked warranty

### Optional Features

- **F** Face drilled
- **G** Gate conduit
- **B** Patented BondSTAT magnetic bond sensor
- **D** Integrated Door Position Switch (DPS)
- **SS** Split Strike
- **OS** Offset Strike



Grade 1



MagnaCare  
Warranty



Auto Sensing  
Dual Voltage  
12/24



Fire Rated

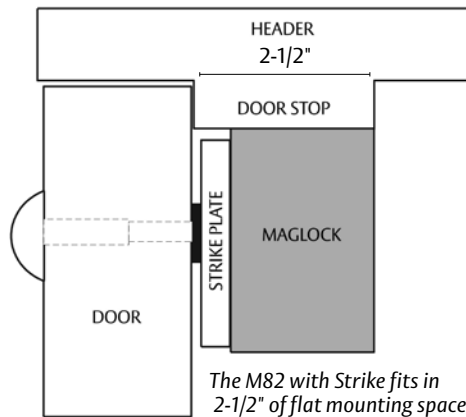
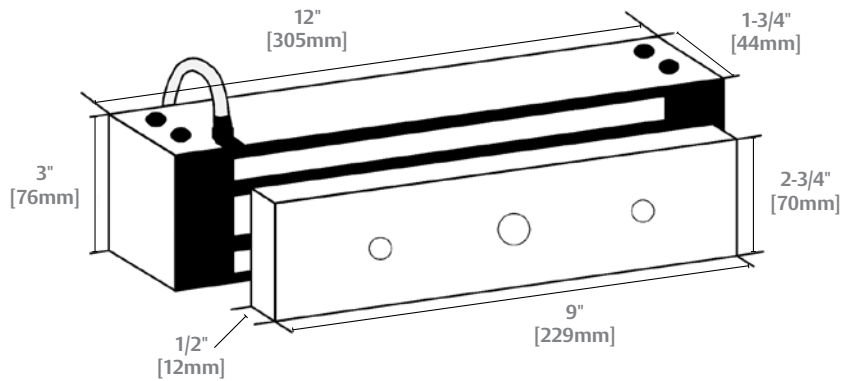


Outdoor  
Rated



Preload

## Dimensions



## Specifications

### Certifications

- UL 10C Listed
- CAN4-S104, CAN/ULC-S533 Listed
- ANSI/UL 294 Listed
- ANSI/BHMA A156.23, Grade 1; E08501-1500
- CSFM—California State Fire Marshal Approved
- CE:EN 50081-1(92), EN 61000-6-2(99) Approved

### Dimensions

- **Magnalock:** 12"L x 1-3/4"D x 3"H
- **Strike:** 9"L x 1/2"D x 2-3/4"H

### Electrical

- 350 mA at 12 VDC
- 200 mA at 24 VDC

### Holding Force

- 1,800 lbs [816kg]

### Operating Temperature

- -40 to +140F [-40 to +60C]
- Indoor or Outdoor use

### Shipping Weight

- 16 lbs [7.26kg]

## How to Order

Model Series	Mounting Method	Monitoring Options	Strike Plate Options
<b>M82</b>	<b>FG</b>	<b>BD</b>	<b>- OS</b>
<b>M82</b> 1,800 lbs	<b>(blank)</b> Direct Mount	<b>(blank)</b> No Monitoring	<b>(blank)</b> Standard Strike
	<b>F</b> Face Drilled	<b>B</b> BondStat Monitor	<b>OS</b> Offset Strike
	<b>G</b> Gate Conduit (M62/M82 only)	<b>D</b> Door Position Switch	<b>SS</b> Split Strike
		<b>BD</b> BondStat and DPS	<b>SASM</b> Shock Absorbing Strike Mount