

# RYOBI®



- A
- P
- S<sub>top</sub>
- S<sub>top</sub>
- 2 Speed
- B.C.
- Torque
- 2VA
- R and L
- 1,000,000 cycles
- UL listed
- & ADA
- EN1154 (Inc. EN1634 part.1)
- Sliding Arm
- Cover

## Overhead Door Closer **RYOBI** **D-1500/D-1550**

## THE RYOBI D-1500/1550

### A benchmark in Door Closers

The Ryobi design brief for the D-1500/1550 series.

”The principals of a quality Door closer are that it should allow the door to open with the minimum of resistance and then to close the door firmly, in a controlled, smooth operation. The design and build quality should ensure that the closer performs this basic function effortlessly and provide a lifetime of trouble free service.”

In developing the D-1550 / 1550 series of closers, the experienced engineers at Ryobi have successfully perfected these basic function principals, resulting in a highly efficient, high performance door closer, at an extremely realistic price. As the world leader in Aluminium diecasting, Ryobi's vast experience in advanced engineering technology has been fully utilised in the design and production of the D-1500/1550 series closers.

The D-1500/1550 range includes models which have been successfully type tested to all of the requirements of EN 1154 and for fire door specifications, successfully type tested to EN 1634 part 1, these models incorporate precision ball bearing mounts for the rack and pinion mechanism, a further illustration of the high level of quality and craftsmanship that Ryobi proudly design into its products.

In the pursuit of excellence, Ryobi leads the way.

### THE TECHNOLOGY BEHIND RYOBI DOOR CLOSERS

In the global economy, Ryobi are the world's largest producer of precision Aluminium die-castings. The company draws on its wealth of experience and technical resources to supply the worlds leading motor manufacturers with engine blocks and transmission cases.

The same level of cutting edge technology and expertise can also be found in its door closer ranges, where precision engineering and the highest standards of workmanship guarantee unrivalled quality, performance and value. RYOBI, a world class manufacturer, working for you.

### APPLICATION

SIZE	TYPE OF BODY	STANDARD	PARALLEL	UNIVERSAL	TRACK-RAIL	DOOR WEIGHT	DOOR WIDTH	
							INTERNAL	EXTERNAL
2	STANDARD	D-1502	D-1502P	D-1502 UNIV	–	≤50KG	≤900MM	≤800MM
		D-1552	D-1552P	D-1552 UNIV	–			
	BACKCHECK	D-1502BC	D-1502BCP	D-1502BC UNIV	–			
		D-1552BC	D-1552BCP	D-1552BC UNIV	–			
3	STANDARD	D-1503	D-1503P	D-1503 UNIV	D-1500T	≤65KG	≤1050MM	≤900MM
		D-1553	D-1553P	D-1553 UNIV	D-1550T			
	BACKCHECK	D-1503BC	D-1503BCP	D-1503BC UNIV	D-1500BCT			
		D-1553BC	D-1553BCP	D-1553BC UNIV	D-1550BCT			
4	STANDARD	D-1504	D-1504P	D-1504 UNIV	–	≤80KG	≤1200MM	≤950MM
		D-1554	D-1554P	D-1554 UNIV	–			
	BACKCHECK	D-1504BC	D-1504BCP	D-1504BC UNIV	–			
		D-1554BC	D-1554BCP	D-1554BC UNIV	–			
TO EN1154 SIZE 3	STANDARD	D-1503	D-1502BCP	D-1503 UNIV	–	≤60KG	≤950MM	
		D-1553	–	D-1553 UNIV	–			
	BACKCHECK	D-1503BC	–	D-1503BC UNIV	–			
		D-1553BC	–	D-1553BC UNIV	–			
TO EN1154 SIZE 4	STANDARD	D-1504	–	D-1504 UNIV	–	≤80KG	≤1100MM	
		D-1554	–	D-1554 UNIV	–			
	BACKCHECK	D-1504BC	–	D-1504BC UNIV	–			
		D-1554BC	–	D-1554BC UNIV	–			

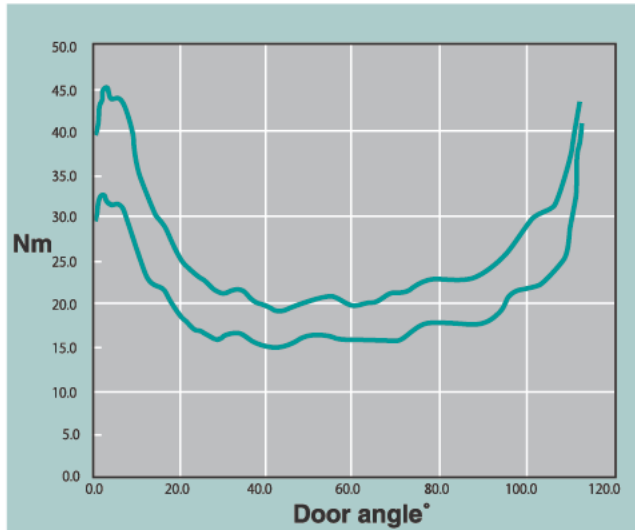
※Add “DS-” instead of “D-” just be model code when ordering hold open models. EXAMPLE : DS-1553

※D-1500 series has no cover. D-1550 series has full cover.

## ■ LOW OPENING RESISTANCE / HIGHER EFFICIENCY

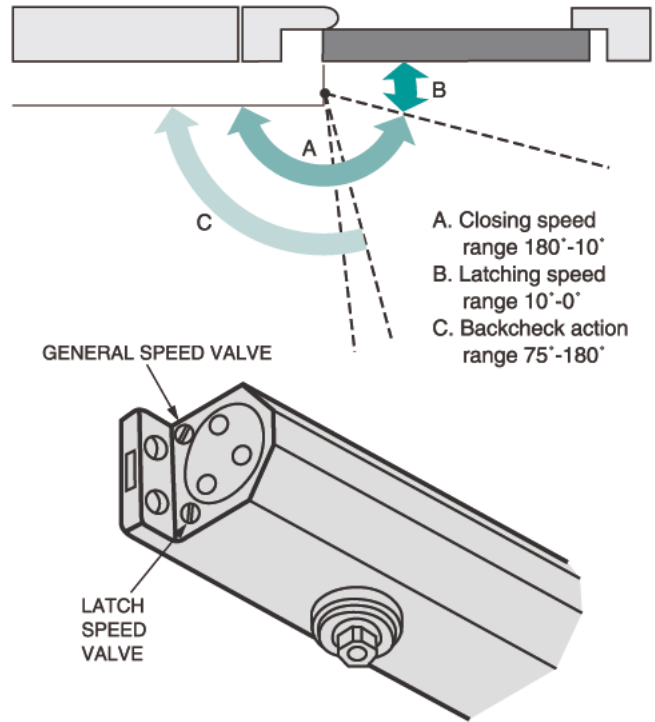
A precise production for every components based on Ryobi's original quality control system realized higher efficiency of almost 70% at the average of all ranges for less opening resistance and longer durability of 1,000,000 cycles over.

※Maximum Spring Tension : Opening Force / Closing Force.



## ■ FULL HYDRAULIC CONTROL

Controls the door through the entire opening and closing cycles by providing adjustable backcheck upon opening and adjustable general and latch speed through the closing cycle.



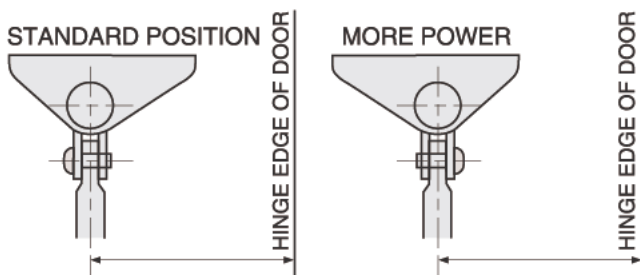
## FEATURE

### 1) OPTIONAL ADJUSTABLE BACKCHECK

A backcheck feature set and adjusted by an independent valve. When introduced the backcheck stalls the opening of the door around 70 degrees. When doors are violently opened by pedestrians or wind, the backcheck feature reduces the likelihood of damage should contact be made with an adjacent wall or obstacle.

### 2) LATCHING POWER ADJUSTMENT

By changing the position of the frame arm on the foot bracket closing force at the latch can be increased or decreased. This can be achieved with the foot bracket in position.



### 3) FOR FIRE DOOR

D-1500/D-1550 series has models successfully type-tested for conformity to all of the requirements of EN1154 including EN1634 Part. 1

### 4) ALL SEASON FLUID

All season fluid eliminates the need for seasonal adjustment.

### 5) PERIODIC MAINTENANCE

None required other than to check security of fixings on a regular basis.

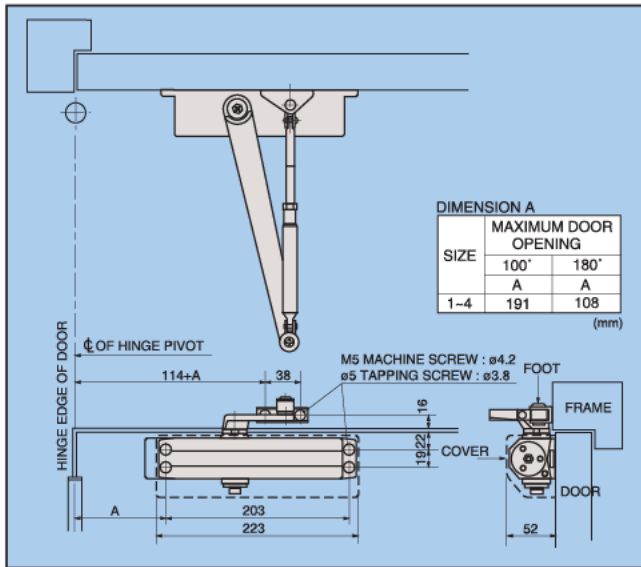
### 6) VARIOUS FINISHES

D-1500/D-1550 Door series are available in SILVER, DARK BRONZE, METALIC LEMON, BLACK, and WHITE finishes. POLISHED GOLD and POLISHED SILVER are available for a plastic cover as option.

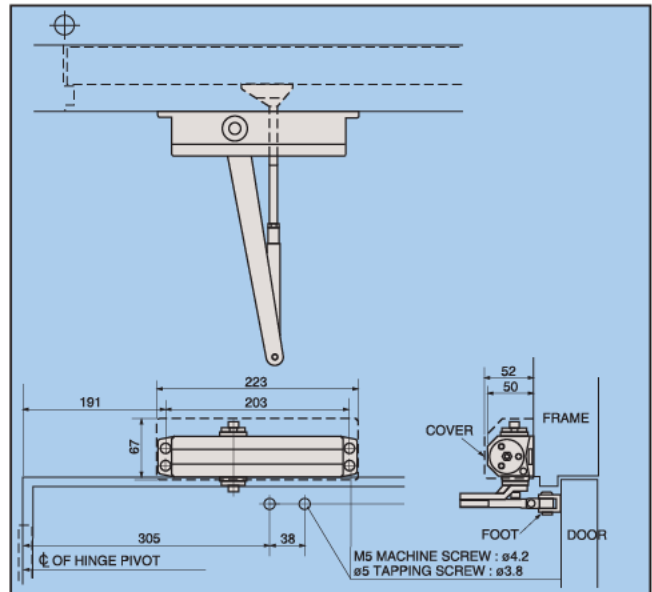
### 7) OPTIONAL HOLD-OPEN

The non handed, optional hold open arm allows the door to be held open at any angles between 70 and 180 degrees. The serration type cam never allows a door to fall back. The cam and bearing type hold open mechanism ensures adequate hold open force by adjustable hold open force.

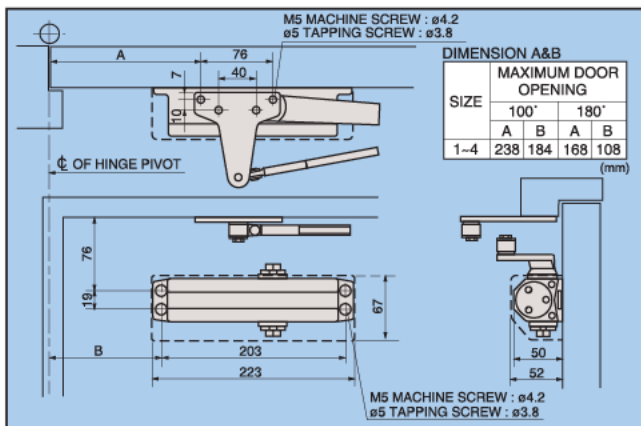
## STANDARD APPLICATION



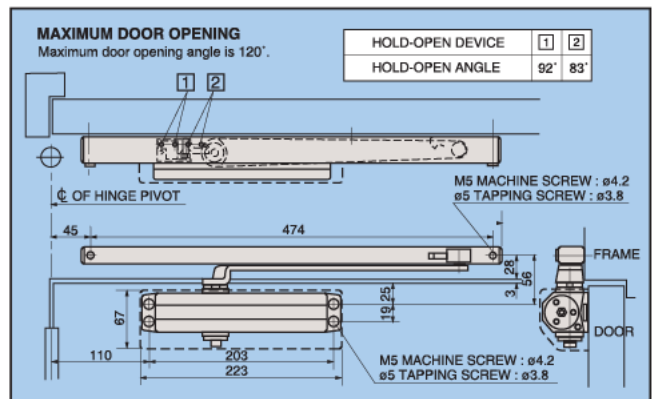
## TOP JAMB APPLICATION



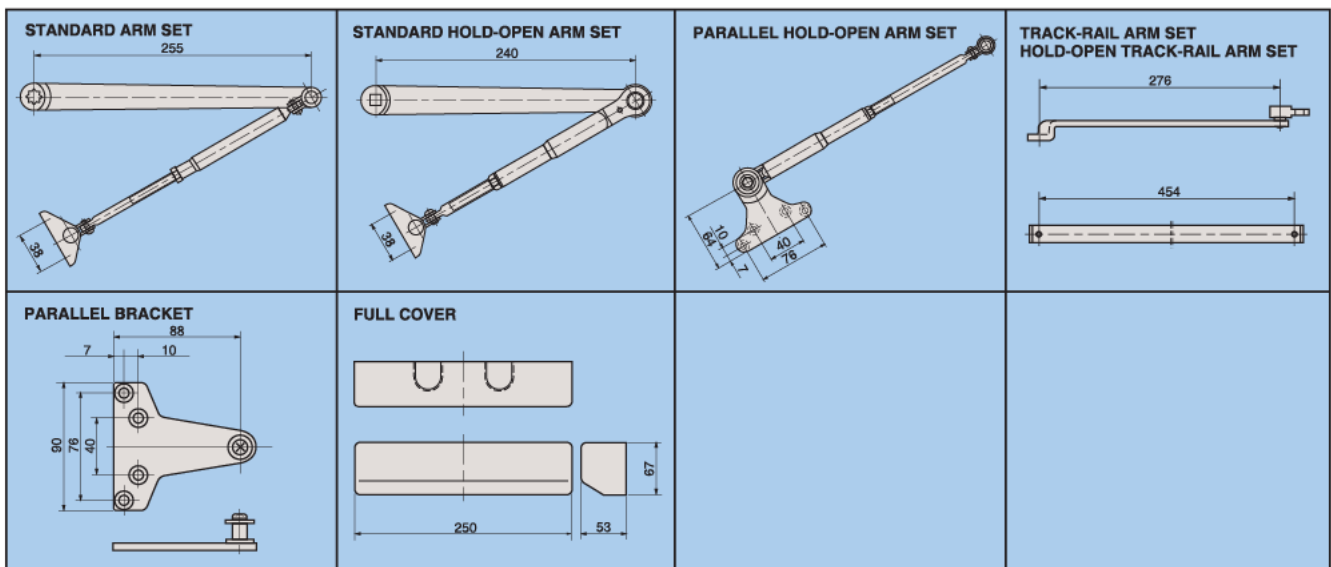
## PARALLEL ARM APPLICATION



## TRACK-RAIL ARM APPLICATION



## OPTIONAL ACCESSORIES



## RYOBI LIMITED

5-2-8 Toshima, Kita-ku Tokyo 114-8518, Japan  
Tel. 81-3-3927-5536 Fax. 81-3-3927-5527  
RYOBI is a registered trade mark of Ryobi Limited