



- One-piece, painted orange or chrome-plated finish body
- Case-hardened, tempered, copper, nickel-plated steel dead-bolt Ø 5.5 mm or 10 mm
- Spring-loaded dead-bolt locking mechanism, 7 disc copper, nickel and chrome-plated zamak plug with scratch-proof ABS cover and with lock protected by weather-proof cap
- Supplied with 2 German silver keys with ergonomic non slip ABS grip. On request, it's available, as an accessory, the "reminder" cable (item 006) to avoid starting with the disc lock inserted
- Robust and compact; perfect for locking scooters



Supplied with useful nylon textile bag

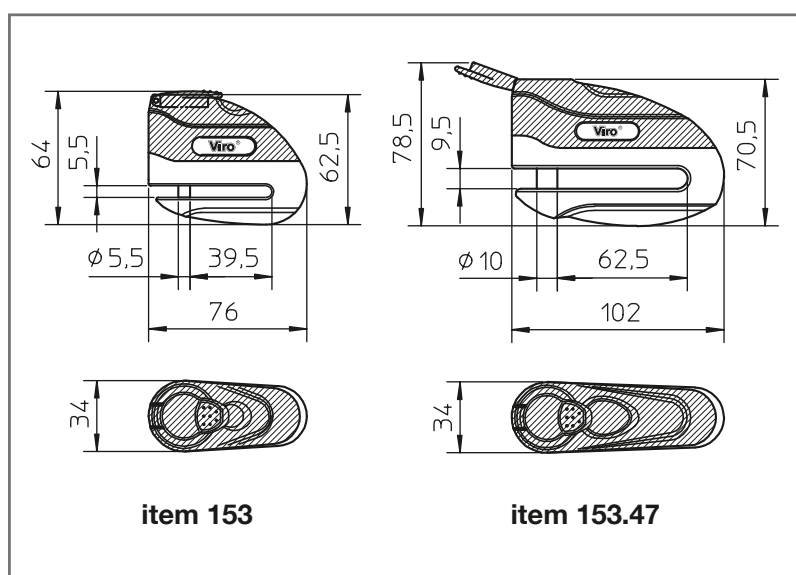


Lock protected by weatherproof cap





## DISC LOCK **HAMMER**



| ITEM CODE | DEAD-BOLT DIAMETER mm | FINISH | NET UNIT WEIGHT g |
|-----------|-----------------------|--------|-------------------|
| 153       | 5.5                   | ORANGE | 460               |
| 153.47    | 10                    | CHROME | 630               |

 **ITEM 153**