

# Planet RO

19,8 / 36 x 20 mm | 16 mm | 50 dB



## Overview of Advantages

- Drop-down seals for metal doors
- Seal height up to 16 mm
- Acoustic insulation level up to 50 dB with optimum sealing
- Single-sided and silent release
- No grinding over the floor thanks to parallel lowering
- Automatic compensation for sloping floors
- For double-leaf doors with flush bolt or shoot bolt
- High-quality silicone lip, lateral protrusion adjustable
- Easy lift adjustment
- Can be shortened to the next smallest length
- 7-year warranty

## Tender specification

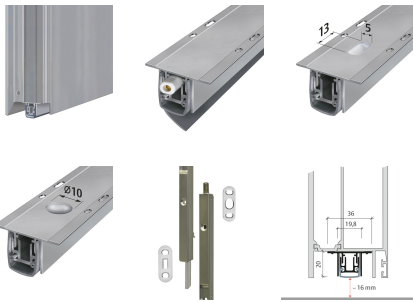
Automatic door drop-down seal Planet RO RD | 50 dB, for sound and smoke-shielding protection doors, hinge-side triggering with automatic compensation for sloping floors, parallel lowering, seal height up to 16 mm. Silicone lip, fastening at bottom. Profile made of aluminium 19.8 / 36 x 20 mm.

Automatic door drop-down seal Planet RO FH+RD | 50 dB, for sound, smoke-shielding and fire-retardant doors, hinge-side triggering with automatic compensation for sloping floors, parallel lowering, seal height up to 16 mm. Self-extinguishing silicone lip, bottom attachment. Profile made of aluminium 19.8 / 36 x 20 mm.

## Technical data

Seal profile	high-quality silicone or high-quality self-extinguishing silicone
Sound absorption value	up to 50 dB at ground air 7 mm
Fastening	from below with on-site screws
Can be shortened	max. 125 mm (335 mm only 115 mm)
Release	on one side, hinge side
Lift height adjustment	on release pin with 3 mm Allen key
Max. lift height	16 mm
Profile size	19.8 / 36 x 20 mm
Profile material	Aluminium

Planet RO, release side



Features / versions (depending on options)



Floor surfaces



Possible door types (depending on options)



## Variants that can be ordered

Order number	Version	Length	can be shortened to	Order placement information
56040	smoke-shielding	400 mm		no function
56034	smoke-shielding	335 mm	>220 mm	
56046	smoke-shielding	460 mm	>335 mm	
56059	smoke-shielding	585 mm	>460 mm	
56071	smoke-shielding	710 mm	>585 mm	
56084	smoke-shielding	835 mm	>710 mm	
56096	smoke-shielding	960 mm	>835 mm	
56109	smoke-shielding	1085 mm	>960 mm	
56121	smoke-shielding	1210 mm	>1085 mm	
56134	smoke-shielding	1335 mm	>1210 mm	
56146	smoke-shielding	1460 mm	>1335 mm	
56159	smoke-shielding	1585 mm	>1460 mm	
56600	smoke-shielding			per running metre
57040	fire-retardant+smoke-shielding	400 mm		no function
57034	fire-retardant+smoke-shielding	335 mm	>220 mm	
57046	fire-retardant+smoke-shielding	460 mm	>335 mm	
57059	fire-retardant+smoke-shielding	585 mm	>460 mm	
57071	fire-retardant+smoke-shielding	710 mm	>585 mm	
57084	fire-retardant+smoke-shielding	835 mm	>710 mm	
57096	fire-retardant+smoke-shielding	960 mm	>835 mm	

57109	fire-retardant+sm oke-shielding	1085 mm	>960 mm
57121	fire-retardant+sm oke-shielding	1210 mm	>1085 mm
57134	fire-retardant+sm oke-shielding	1335 mm	>1210 mm
57146	fire-retardant+sm oke-shielding	1460 mm	>1335 mm
57159	fire-retardant+sm oke-shielding	1585 mm	>1460 mm
57600	fire-retardant+sm oke-shielding		per running metre

### Suitable options

Order number	Product
900200	Cut to fixed sizeCut to fixed dimensions, all Planet types except KG, MinE
900601	Planet hole 5x13 mm, symmetrical (specify backset)Planet drill hole 5x13 mm, symmetrical, for profile widths 13 and 20 mm
900190L	Planet hole 5x13 mm, asymmetrical DIN L (specify backset)Planet hole 5 x 13 mm, asymmetrical, for flush bolt / shoot bolt (standard, optimum acoustics), for profile width 13 and 20 mm, DIN left-hand
900190R	Planet hole 5x13 mm, asymmetrical DIN R (specify backset)Planet hole 5 x 13 mm, asymmetrical, for flush bolt / shoot bolt (standard, optimum acoustics), for profile width 13 and 20 mm, DIN right-hand
900280	Planet hole Ø10 mm for 20 mm profiles (specify backset)Planet hole Ø10 mm, for profile width 20 mm, suitable for driving bar rod Ø10 mm
900390	Planet TR125 double shortening (specify backset)Planet TR125 double shortening, fits hole 5 x 13 / Ø10 / Ø8
900895	Inclined lip for uneven floorsInclined lip for uneven floors, for 20 mm profiles, DIN L/R
900909	Inverse release, draw plate 50 mmInverse release (trigger on tension), tension plate 20 x 8 x 50 mm, for Planet HS, FT, RH, RF, RO, RS, PU, GH, TW, US
902084	Inverse release, draw plate 70 mmInverse release (trigger on tension), tension plate 20 x 8 x 70 mm, for Planet HS, FT, RH, RF, RO, RS, PU, GH, TW, US
902085	Inverse release, draw plate 80 mmInverse release (trigger on tension), tension plate 20 x 8 x 80 mm, for Planet HS, FT, RH, RF, RO, RS, PU, GH, TW, US
900913	Silicone-free TPE versionSilicone-free TPE version (only for round lips, certificate on request)
900916	Vertical drop-down seal installationDrop-down seal installation vertical, for all Planet types
900793	Corrosion resistant mechanismCorrosion-resistant mechanism for 13 or 20 mm profiles, after clarification
900915	Drop-down seal, top installationDrop-down seal installation at the top, for all Planet types
900917	Drop-down seal installation horizontal / top / sliding door mechanismDrop-down seal installation horizontal / top, only for sliding doors
900918	Folding walls G-G designVersion for folding partitions G-G, for almost all Planet types
900440	Silicon protrusionSilicone projection, hinge side: x mm; lock side: y mm, for all Planet types
900908	Version for sliding doorVersion for sliding door, DIN L/R closing

### Accessories/Individual parts

Order number	Product
900398	Release plate on tension (inverse tripping), 50 mmRelease plate to tension (inverse release), 20 x 8 x 50 mm
900418	Release plate on tension (inverse tripping), 70 mmRelease plate to tension (inverse release), 20 x 8 x 70 mm
900557	Release plate on tension (inverse tripping), 80 mmRelease plate to tension (inverse release), 20 x 8 x 80 mm
	Planet KR flush bolt
	Planet BM 5x13 mm floor recess narrow
	Planet BM 5x13 mm floor recess
	Planet BM Ø10 mm floor recess narrow
	Planet BM Ø10 mm floor recess
	Planet BM-R Ø15 mm floor recess (25/40 mm)
	Planet BM-R Ø11 mm floor recess (25/40 mm)
	Planet F hollow flat rail
	Planet BT floor separation threshold